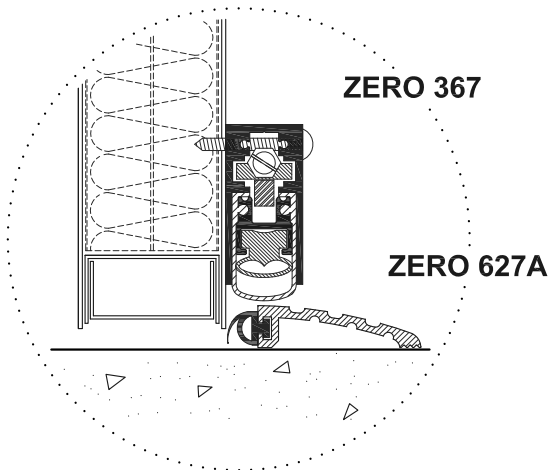
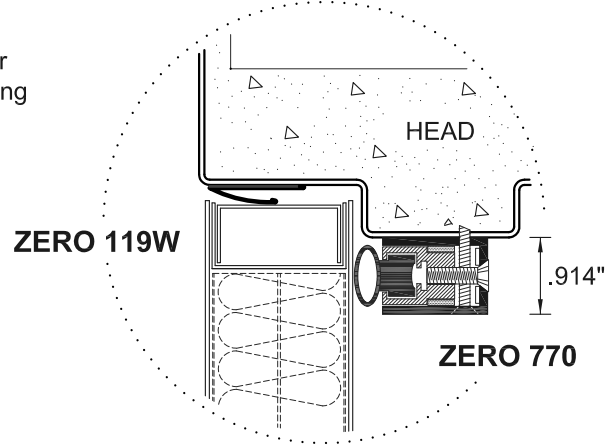
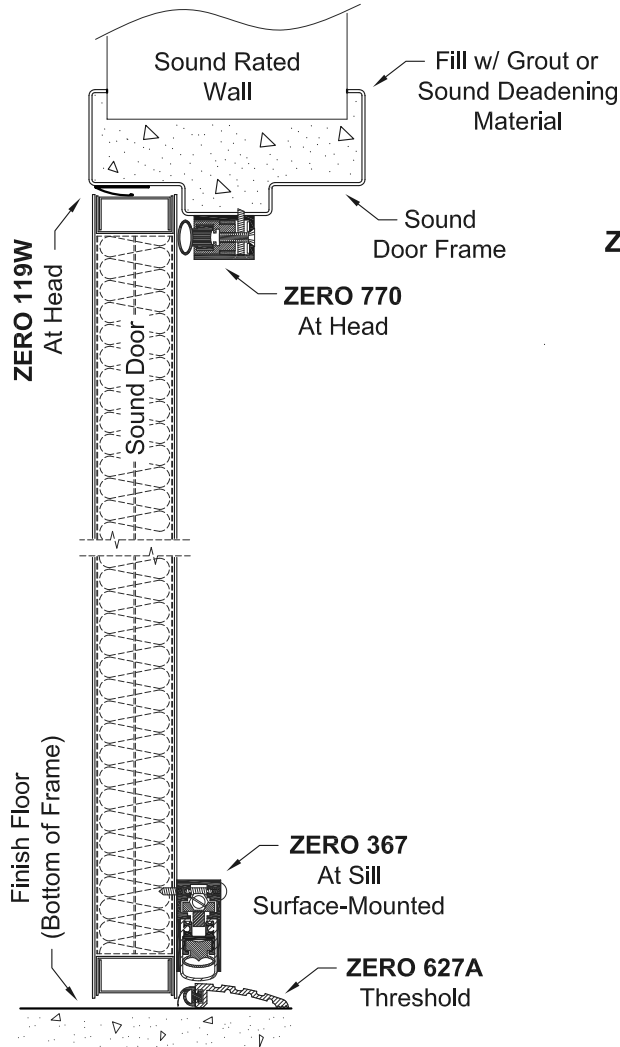


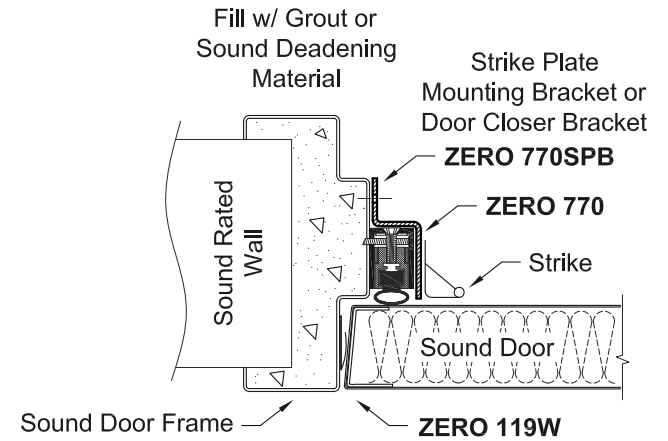
ASSEMBLY TYPE	FRAME PROFILE	RATING	SPECIAL NOTES	DWG. #
SOUND TRANSMISSION CLASS	DOUBLE RABBET	51	Locking Devices Should be Checked for interference	STC 51

HEAD DETAIL




SILL DETAIL

Bracket Requires Minimum Soffit of 2 1/2"



**Construction Specs.**

Frame	Thickness	16 GA Min.
	Opening	4' 0" x 8' 0" Max.
Door	Thickness	18 GA Min.
	Leaf	4' 0" x 8' 0" Max.
	Estimated Wt.	15 Lbs. per Sq. Ft.
	Undercut	3/8"
Fire Rating (Guardian Only)		Up To 3 Hrs.

	SCALE:	NOT TO SCALE
	DATE:	06-09-11
	DRAWN BY:	R.R.
	CHECKED BY:	J.S.