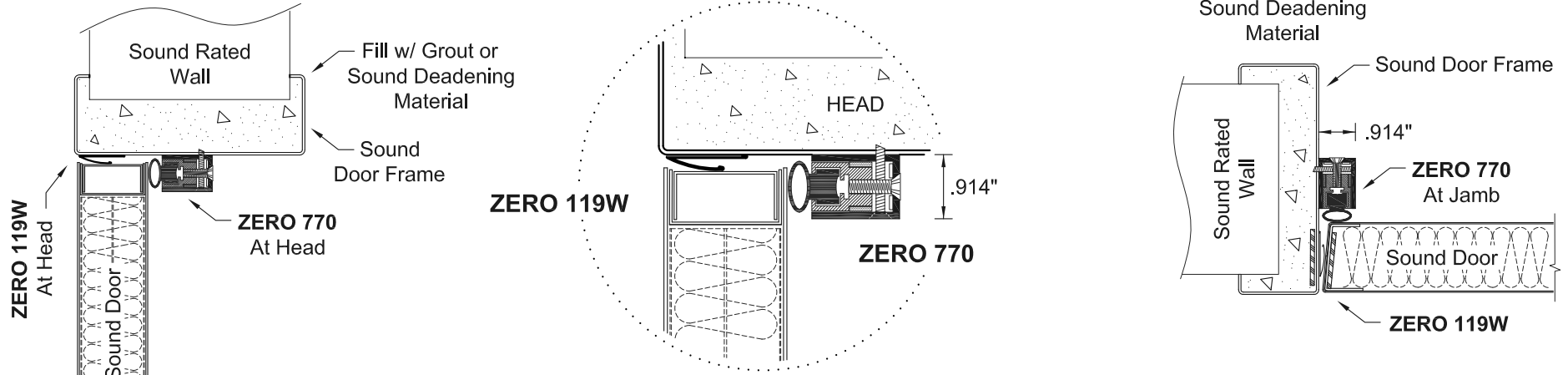


ASSEMBLY TYPE	FRAME PROFILE	RATING	SPECIAL NOTES	DWG. #
SOUND TRANSMISSION CLASS	CASED OPENING	51	Locking Devices Should be Checked for interference	STC 51

HEAD DETAIL



ZERO 119W
At Head

ZERO 119W

ZERO 770

ZERO 119W

Construction Specs.

Frame	Thickness	16 GA Min.
	Opening	4' 0" x 8' 0" Max.
Door	Thickness	18 GA Min.
	Leaf	4' 0" x 8' 0" Max.
	Estimated Wt.	15 Lbs. per Sq. Ft.
	Undercut	3/8"
Fire Rating (WHI)		N/A

Finish Floor
(Bottom of Frame)

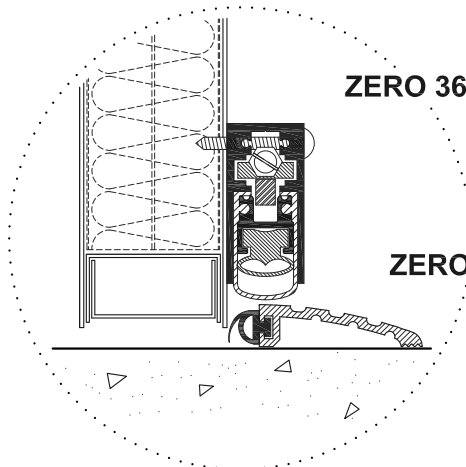
ZERO 367
At Sill
Surface-Mounted


ZERO 627A
Threshold

ZERO 367

ZERO 627A

SILL DETAIL



 NDC NEXT DOOR COMPANY	SCALE:	NOT TO SCALE
	DATE:	06-09-11
	DRAWN BY:	R.R.
	CHECKED BY:	J.S.