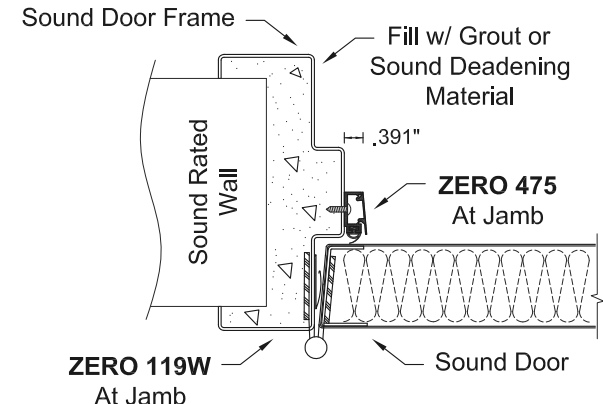
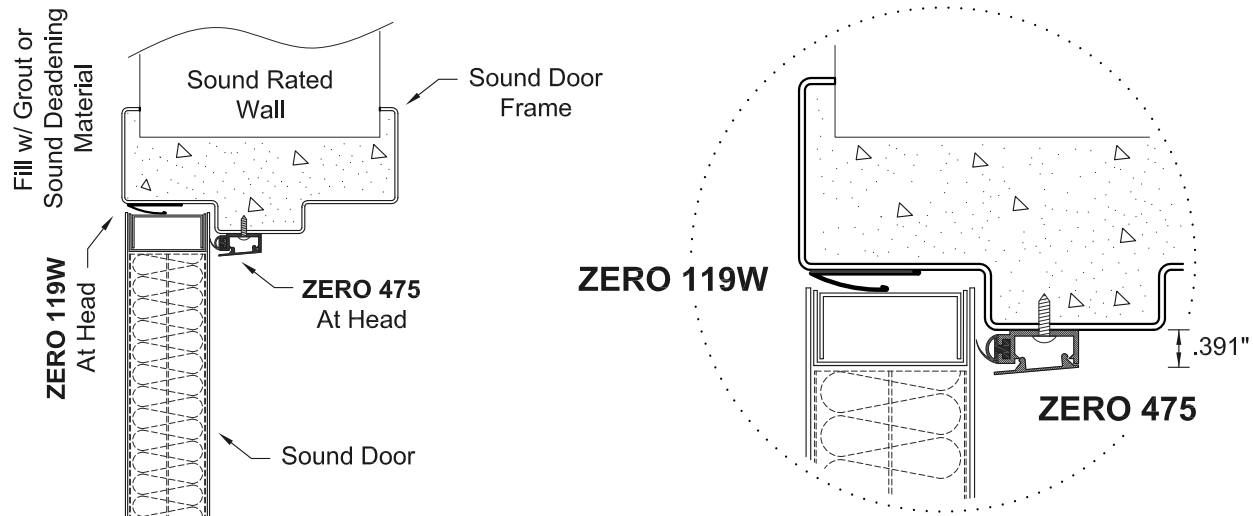
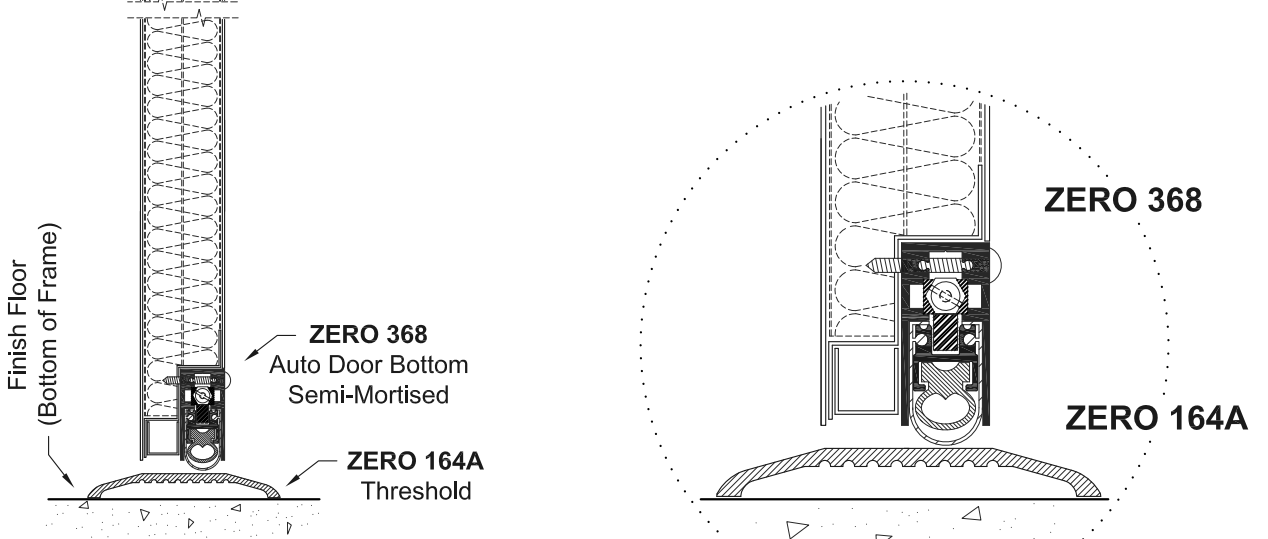


ASSEMBLY TYPE	FRAME PROFILE	RATING	SPECIAL NOTES	DWG. #
SOUND TRANSMISSION CLASS	DOUBLE RABBET	47	Locking Devices Should be Checked for interference	STC 47

HEAD DETAIL



JAMB DETAIL



SILL DETAIL

Construction Specs.

Frame	Thickness	16 GA Min.
	Opening	4' 0" x 8' 0" Max.
Door	Thickness	18 GA Min.
	Leaf	4' 0" x 8' 0" Max.
	Estimated Wt.	15 Lbs. per Sq. Ft.
	Undercut	3/4"
Fire Rating (Guardian Only)		Up To 3 Hrs.

	SCALE:	NOT TO SCALE
	DATE:	06-09-11
	DRAWN BY:	R.R.
	CHECKED BY:	J.S.