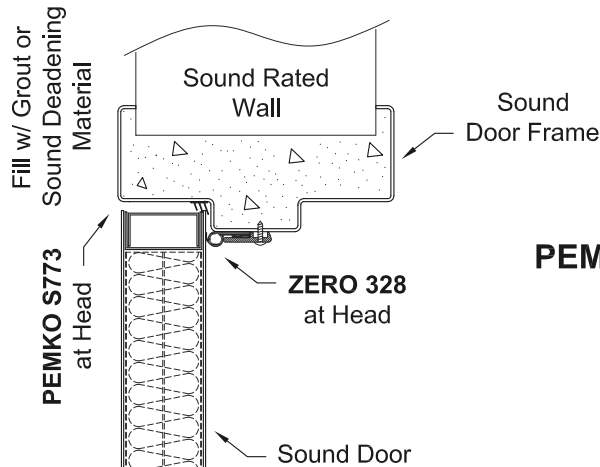


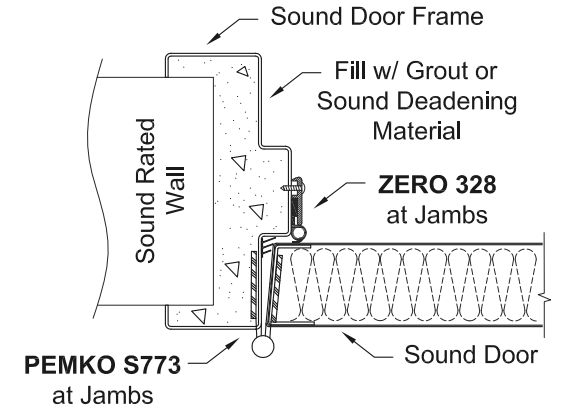
ASSEMBLY TYPE	FRAME PROFILE	RATING	SPECIAL NOTES	DWG. #
SOUND TRANSMISSION CLASS	DOUBLE RABBET	46	REGULAR or CAM LIFT HINGES	STC 46.1Z

HEAD DETAIL



PEMKO S773

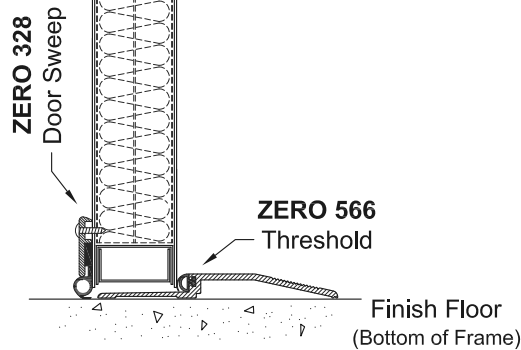
ZERO 328



JAMB DETAIL

ZERO 328


ZERO 566



SILL DETAIL

Construction Specs.

Frame	Thickness	16 GA Min.
	Opening	4' 0" x 8' 0" Max.
Door	Thickness	18 GA Min.
	Leaf	4' 0" x 8' 0" Max.
	Estimated Wt.	7 Lbs. per Sq. Ft.
	Undercut	3/8"
Fire Rating (WHI)		Up To 3 Hrs.

 NDC NEXT DOOR COMPANY	SCALE:	NOT TO SCALE
	DATE:	06-09-11
	DRAWN BY:	R.R.
	CHECKED BY:	J.S.