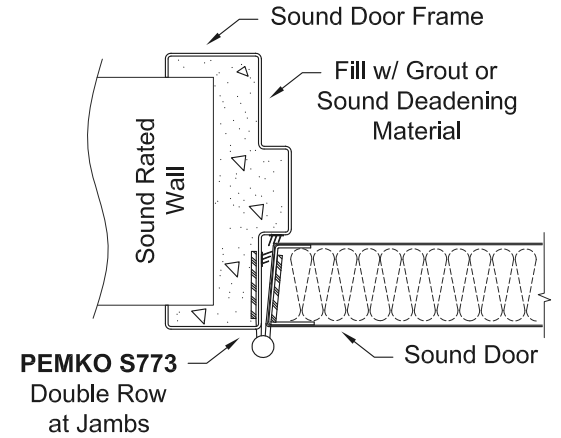
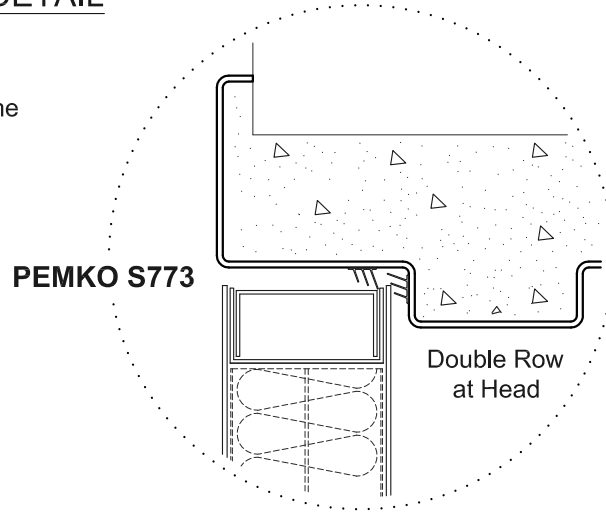
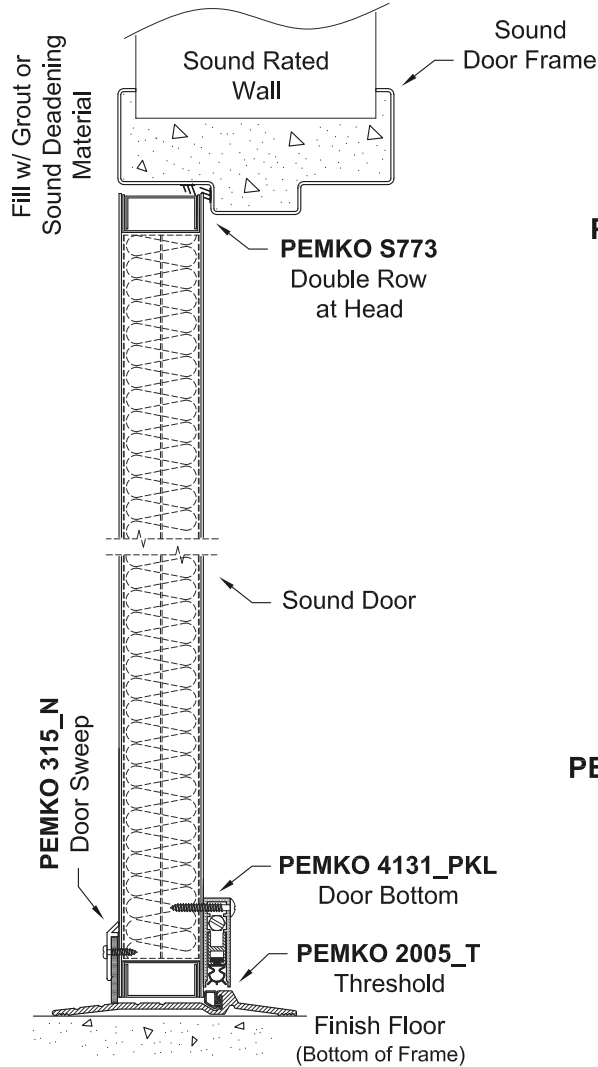


ASSEMBLY TYPE	FRAME PROFILE	RATING	SPECIAL NOTES	DWG. #
SOUND TRANSMISSION CLASS	DOUBLE RABBET	46		STC 46.1P

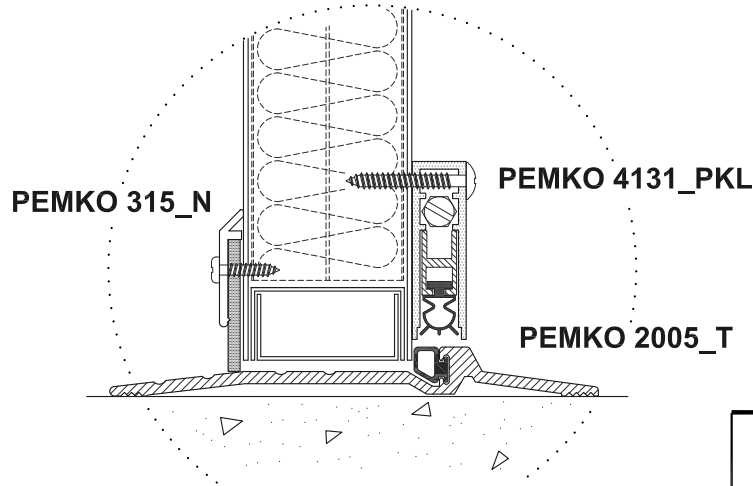
HEAD DETAIL




JAMB DETAIL

Construction Specs.

Frame	Thickness	16 GA Min.
	Opening	4' 0" x 8' 0" Max.
Door	Thickness	18 GA Min.
	Leaf	4' 0" x 8' 0" Max.
	Estimated Wt.	7 Lbs. per Sq. Ft.
	Undercut	3/8"
Fire Rating (WHI)		Up To 3 Hrs.



SILL DETAIL

	SCALE:	NOT TO SCALE
	DATE:	06-08-11
	DRAWN BY:	R.R.
	CHECKED BY:	J.S.