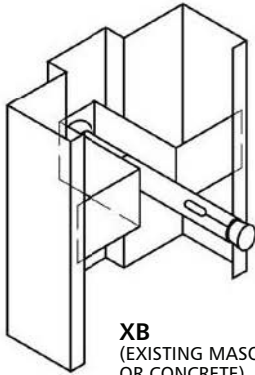
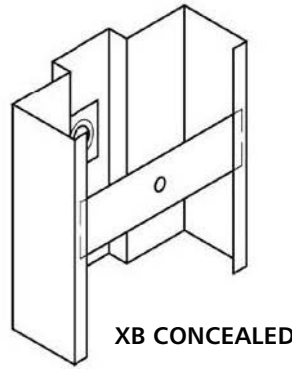




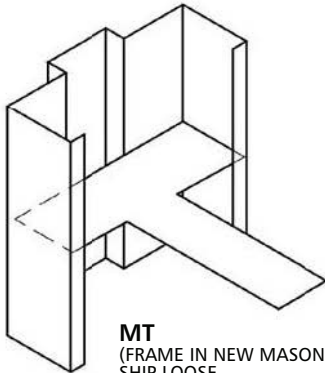
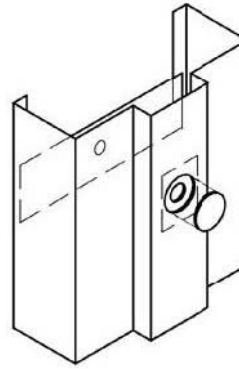
# ANCHORS



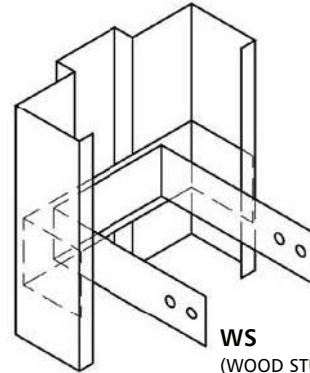
**XB**  
(EXISTING MASONRY  
OR CONCRETE)



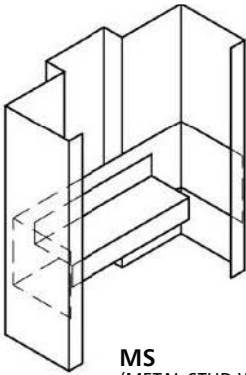
**XB CONCEALED**



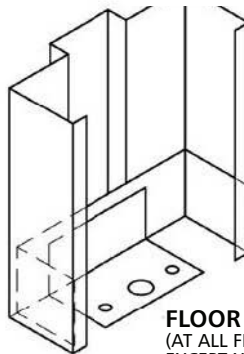
**MT**  
(FRAME IN NEW MASONRY)  
SHIP LOOSE



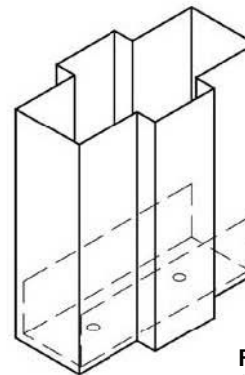
**WS**  
(WOOD STUD WALLS)



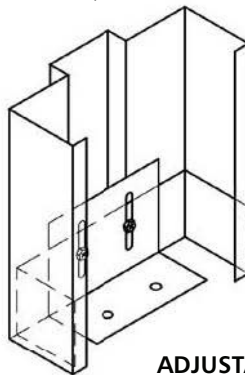
**MS**  
(METAL STUD WALLS)



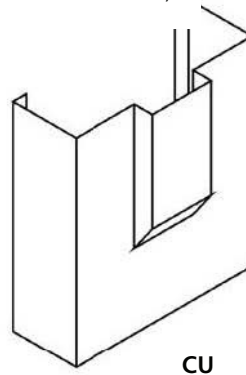
**FLOOR CLIP**  
(AT ALL FRAMES,  
EXCEPT XB ANCHOR TYPE)



**FS**  
(FLOOR SHOE  
SHIPPED LOOSE)



**ADJUSTABLE  
FLOOR CLIP**  
(AT ALL FRAMES, EXCEPT XB  
ANCHOR TYPE)



**CU**  
(CUT-OFF STOP 45° OR 90°)