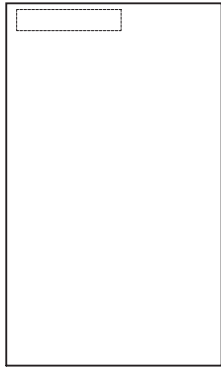


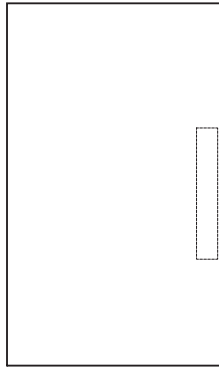


# HARDWARE REINFORCEMENTS

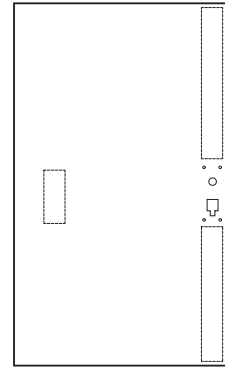
## PLACEMENT AND OPTIONS



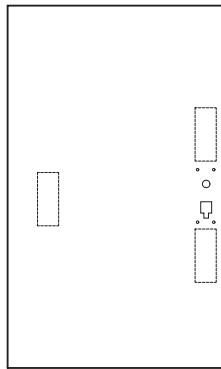
**REGULAR/PARALLEL ARM  
SURFACE CLOSER**



**PUSH/PULL**



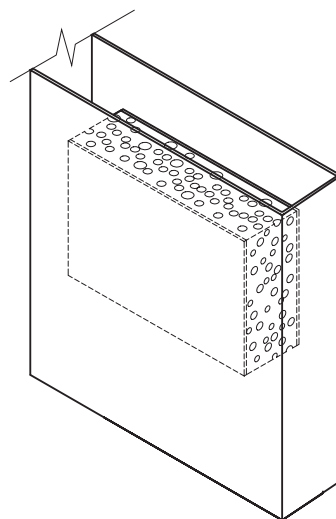
**VERTICAL RIM PANIC**  
(FULL HEIGHT IF NO TRIM)



**RIM PANIC**



**SURFACE BOLTS**

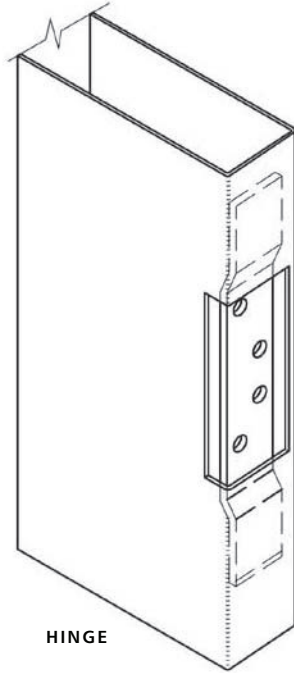


**STANDARD CLOSER  
REINFORCEMENT**

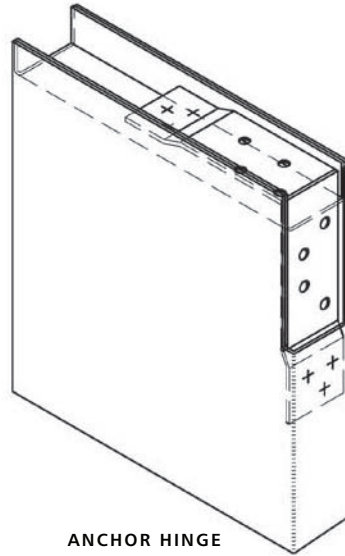


# HARDWARE REINFORCEMENTS

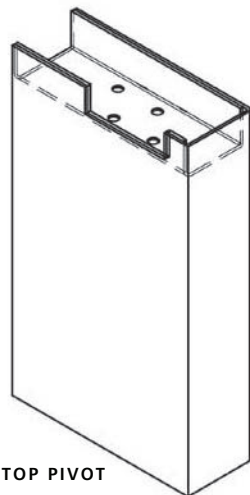
## OTHER PREPARATIONS



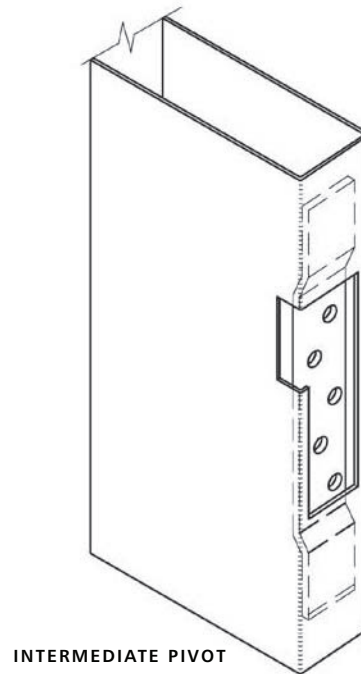
**HINGE**



**ANCHOR HINGE**



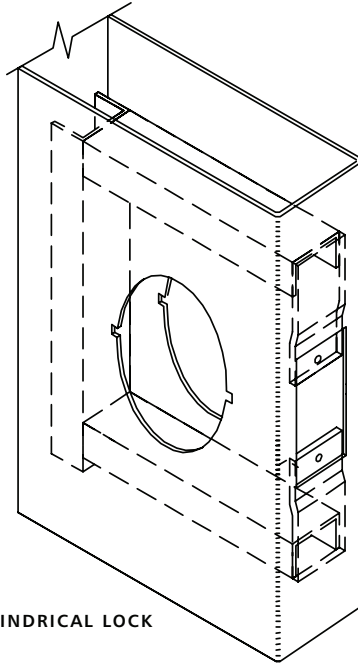
**TOP PIVOT**



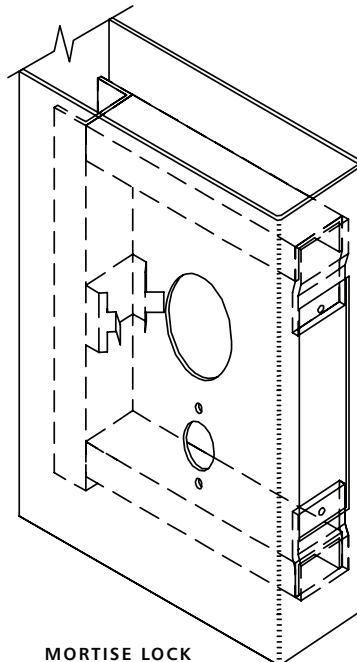
**INTERMEDIATE PIVOT**



## STANDARD LOCK REINFORCEMENTS



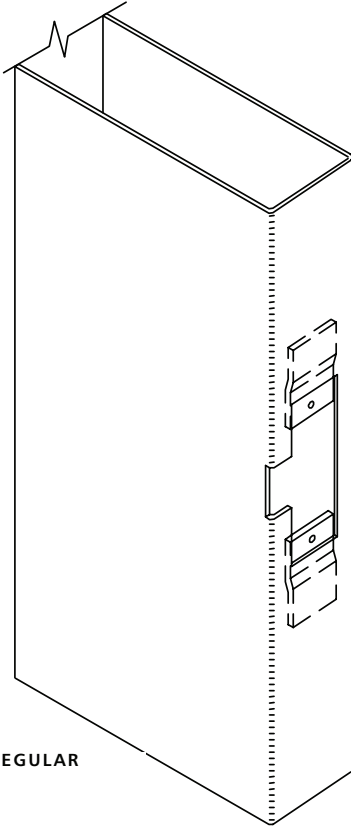
CYLINDRICAL LOCK



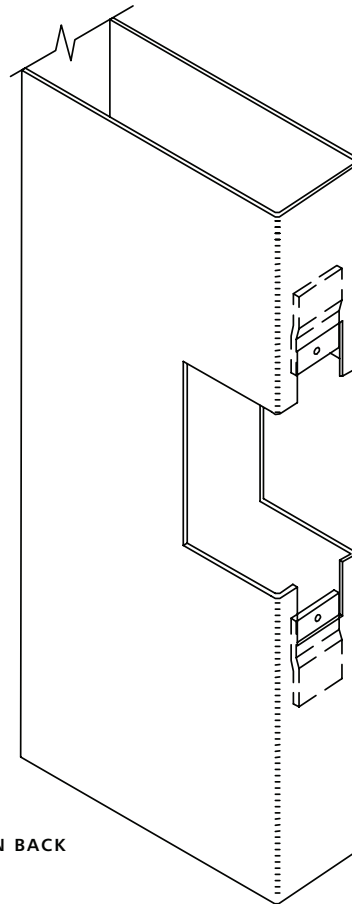
MORTISE LOCK



## STRIKE REINFORCEMENTS



**REGULAR**

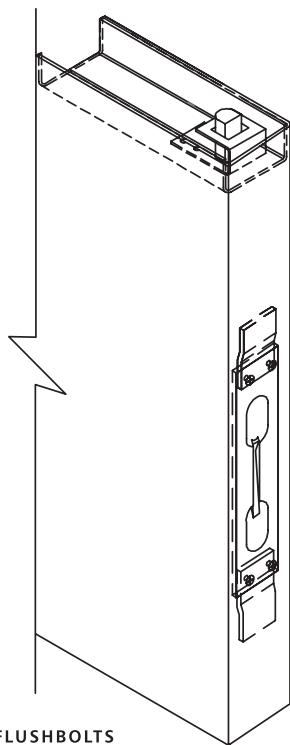
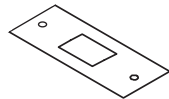
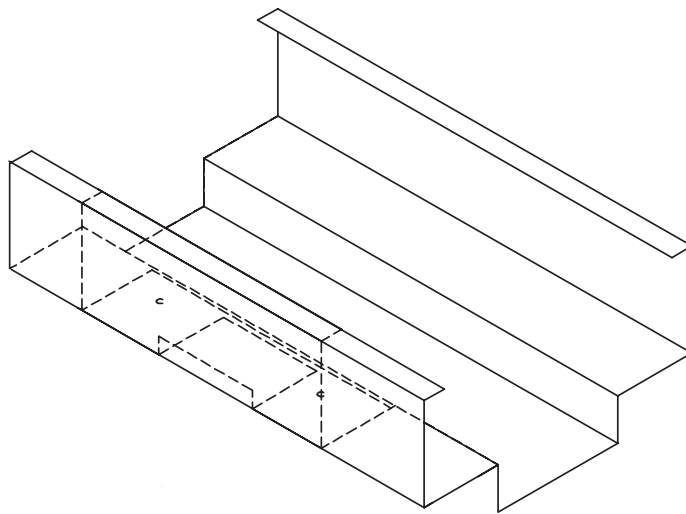


**OPEN BACK**



# HARDWARE REINFORCEMENTS

## FLUSHBOLTS PREPARATION

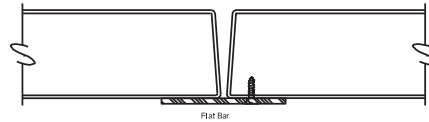
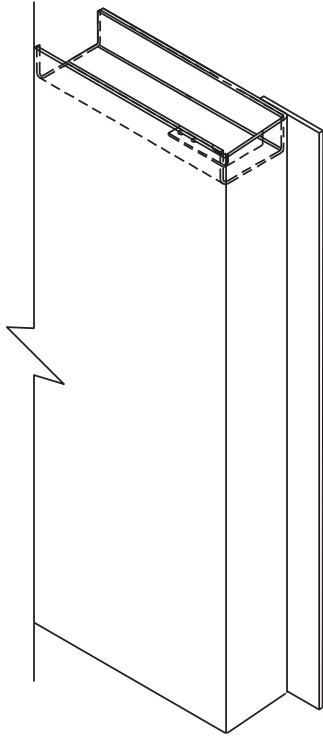


FLUSHBOLTS



# HARDWARE REINFORCEMENTS

## ASTRAGALS



**FLAT ASTRAGAL**