



MIAMI-DADE COUNTY
 PRODUCT CONTROL SECTION
 11805 SW 26 Street, Room 208
 Miami, Florida 33175-2474
 T (786) 315-2590 F (786) 315-2599
www.miamidade.gov/economy

DEPARTMENT OF REGULATORY AND ECONOMIC RESOURCES (RER)
 BOARD AND CODE ADMINISTRATION DIVISION
NOTICE OF ACCEPTANCE (NOA)

Next Door Company
 1300 N. W. 74th Street
 Miami, Fl. 33147

SCOPE:

This NOA is being issued under the applicable rules and regulations governing the use of construction materials. The documentation submitted has been reviewed and accepted by Miami-Dade County RER -Product Control Section to be used in Miami Dade County and other areas where allowed by the Authority Having Jurisdiction (AHJ).

This NOA shall not be valid after the expiration date stated below. The Miami-Dade County Product Control Section (In Miami Dade County) and/or the AHJ (in areas other than Miami Dade County) reserve the right to have this product or material tested for quality assurance purposes. If this product or material fails to perform in the accepted manner, the manufacturer will incur the expense of such testing and the AHJ may immediately revoke, modify, or suspend the use of such product or material within their jurisdiction. RER reserves the right to revoke this acceptance, if it is determined by Miami-Dade County Product Control Section that this product or material fails to meet the requirements of the applicable building code.

This product is approved as described herein, and has been designed to comply with the Florida Building Code, including the High Velocity Hurricane Zone.

DESCRIPTION: Series "S-808-IL" Outswing Louvered Steel Doors-Impact

APPROVAL DOCUMENT: Drawing No. **W10-35 Rev F** titled "Series "S-808-IL" Outswing Louvered Steel Door (LMI)" Sheets 1 through 6 of 6, prepared by Al-Farooq Corporation, dated 06-03-10 and last revised on APR 15, 2015, signed and sealed by Javad Ahmad, P. E. bearing the Miami-Dade County Product Control Renewal stamp with the Notice of Acceptance number and expiration date by the Miami-Dade County Product Control Section.

MISSILE IMPACT RATING: Large and Small Missile Impact Resistant

Limitation:

1. Not approved where Air and Water infiltration requirements are needed.
2. Door and louver shall meet min yield and ultimate strength per sheet 5.

LABELING: Each unit shall bear a permanent label with the manufacturer's name or logo, city, state and series and following statement: "Miami-Dade County Product Control Approved", unless otherwise noted herein.

RENEWAL of this NOA shall be considered after a renewal application has been filed and there has been no change in the applicable building code negatively affecting the performance of this product.

TERMINATION of this NOA will occur after the expiration date or if there has been a revision or change in the materials, use, and/or manufacture of the product or process. Misuse of this NOA as an endorsement of any product, for sales, advertising or any other purposes shall automatically terminate this NOA. Failure to comply with any section of this NOA shall be cause for termination and removal of NOA.

ADVERTISEMENT: The NOA number preceded by the words Miami-Dade County, Florida, and followed by the expiration date may be displayed in advertising literature. If any portion of the NOA is displayed, then it shall be done in its entirety.

INSPECTION: A copy of this entire NOA shall be provided to the user by the manufacturer or its distributors and shall be available for inspection at the job site at the request of the Building Official.

This NOA **renews NOA # 14-0911.02** and consists of this page 1 and evidence pages E-1, as well as approval document mentioned above.

The submitted documentation was reviewed by **Ishaq I. Chanda, P.E.**



NOA No. 15-0728.04
 Expiration Date: January 13, 2021
 Approval Date: January 21, 2016
 Page 1

1/8/16

NOTICE OF ACCEPTANCE: EVIDENCE SUBMITTED

A. DRAWINGS

1. Manufacturer's die drawings and sections (submitted under files #see below)
2. Drawing No. **W10-35 Rev F** titled "Series "S-808-IL" Outswing Louvered Steel Door (LMI)" Sheets 1 through 6 of 6, prepared by Al-Farooq Corporation, dated 06-03-10 and last revised on APR 15, 2015, P.E.

B. TESTS (submitted under files #14-0911.02/#12-0229.03/#10-0727.02)

1. Test reports on
 - 1) Air Infiltration Test, per FBC TAS 202-94 (Not Performed)
 - 2) Uniform Static Air Pressure Test Loading per FBCTAS 202-94
 - 3) Water Resistance Test, per FBC TAS 202-94 (Not Performed)
 - 4) Forced Entry Resistance Test, per FBC TAS 202-94
 - 5) Large Missile Impact Test, FBC TAS 201-94
 - 6) Cyclic Loading Test, per FBC TAS 203-94

Along with installation diagram of double outswing Louvered steel door, marked-up by Fenestration Testing Laboratories, Inc. Test Reports Nos. **FTL 6167 (FTL09009)** and **FTL 6267 (FTL10049)**, dated 04/28/10, signed and sealed by Jorge A. Causo, P.E.

Note: This test report has been revised by an addendum letter dated Dec. 10, 2010, issued by Fenestration Testing Lab, signed and sealed by Jorge A. Causo, P.E.

C. CALCULATIONS

1. Anchor verification calculations and structural analysis, complying with FBC-2014, prepared by Al Farooq Corporation, dated 07/02/14 and last revised on JAN14, 2015, signed and sealed by Javad Ahmad, P.E.
2. Glazing complies w/ ASTME-1300-02, -04 &-09

D. QUALITY ASSURANCE

1. Miami Dade Department of Regulatory and Economic Resources (RER).

E. MATERIAL CERTIFICATIONS

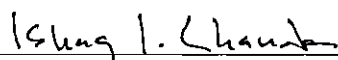
1. Tensile Test report No. **6167 (FTL09009)** Sp #A-1 dated 04/14/10 per ASTM A-3705 for steel face sheet, prepared by Fenestration Testing lab, signed & sealed by Carlos Rionda, P.E.
2. Notice of Acceptance No. **06-1228.07** issued to Carpenter Company for "EPS-Expanded Polystyrene Insulation", expiring on 04/11/17
3. Test Report No. **3145021COQ-004**, dated March 28, 2008, issued by Intertek. to Next Door Company for "RA-24" Batt Fiberglass Insulation for "Self Ignition Temperature Test" per ASTM E-84-08 for smoke density & Flame spread and Test Report No. **3145021COQ-005**, dated March 28, 2008 for "Surface Burning Characteristics" per ASTM D-1929.
4. Test Report No. **3145021COQ-006**, dated March 28, 2008, issued by Intertek. to Next Door Company for "RA-24" Batt Fiberglass Insulation for "Rate of Burning" per ASTM D-635-06.

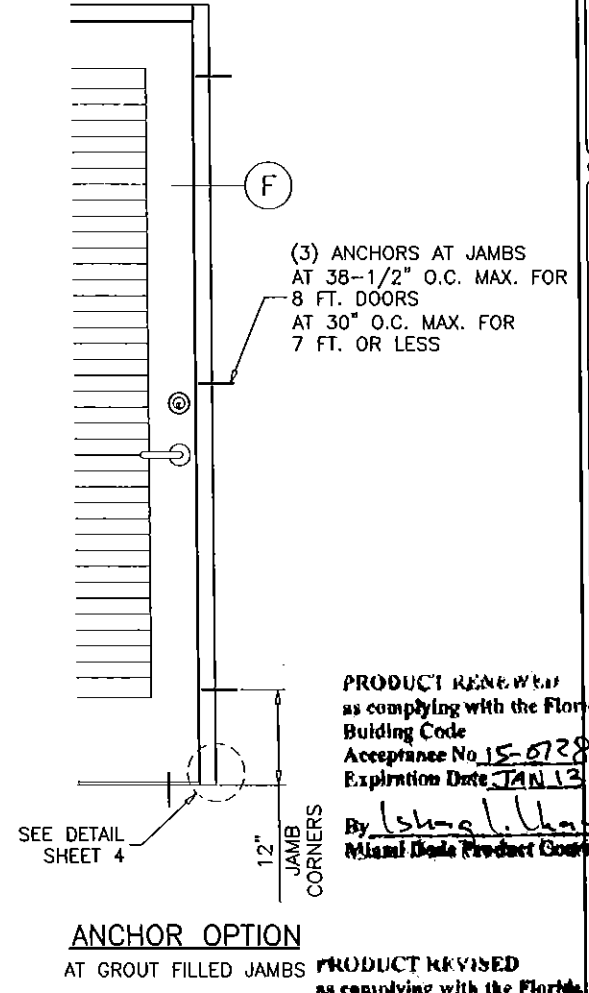
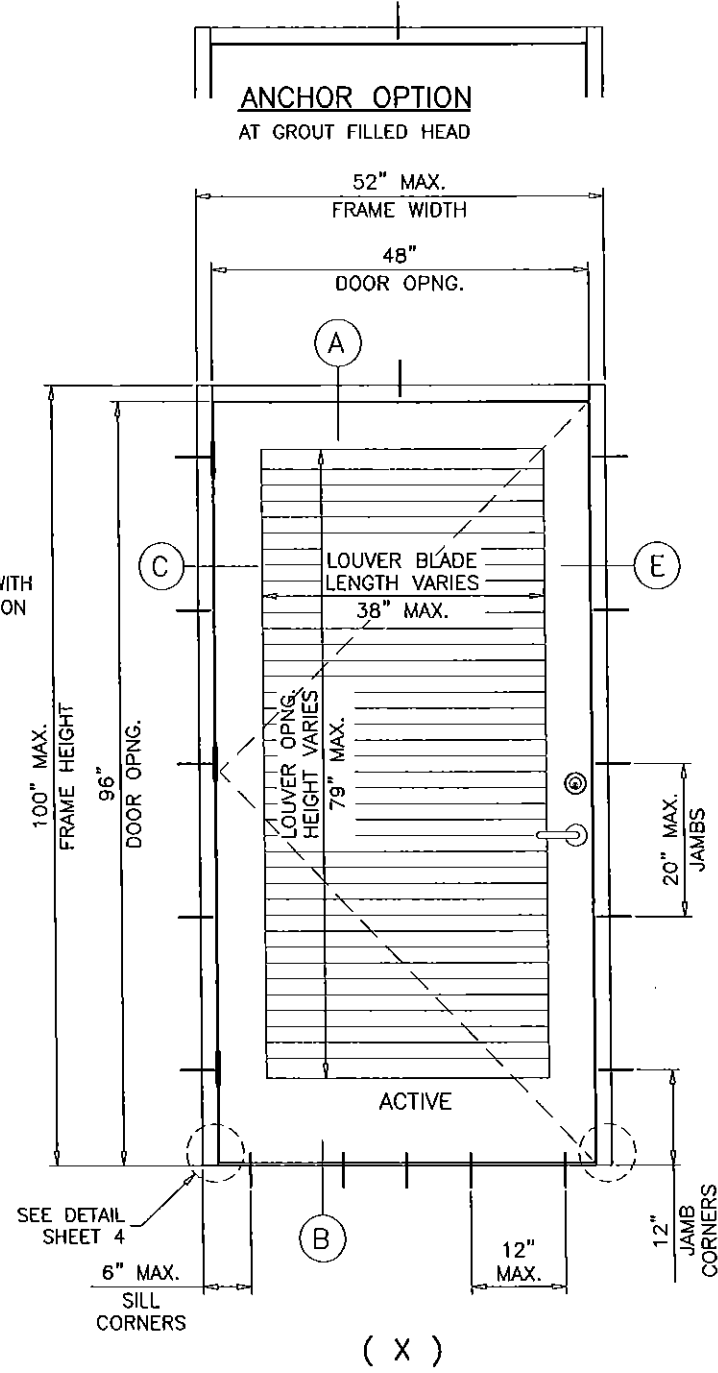
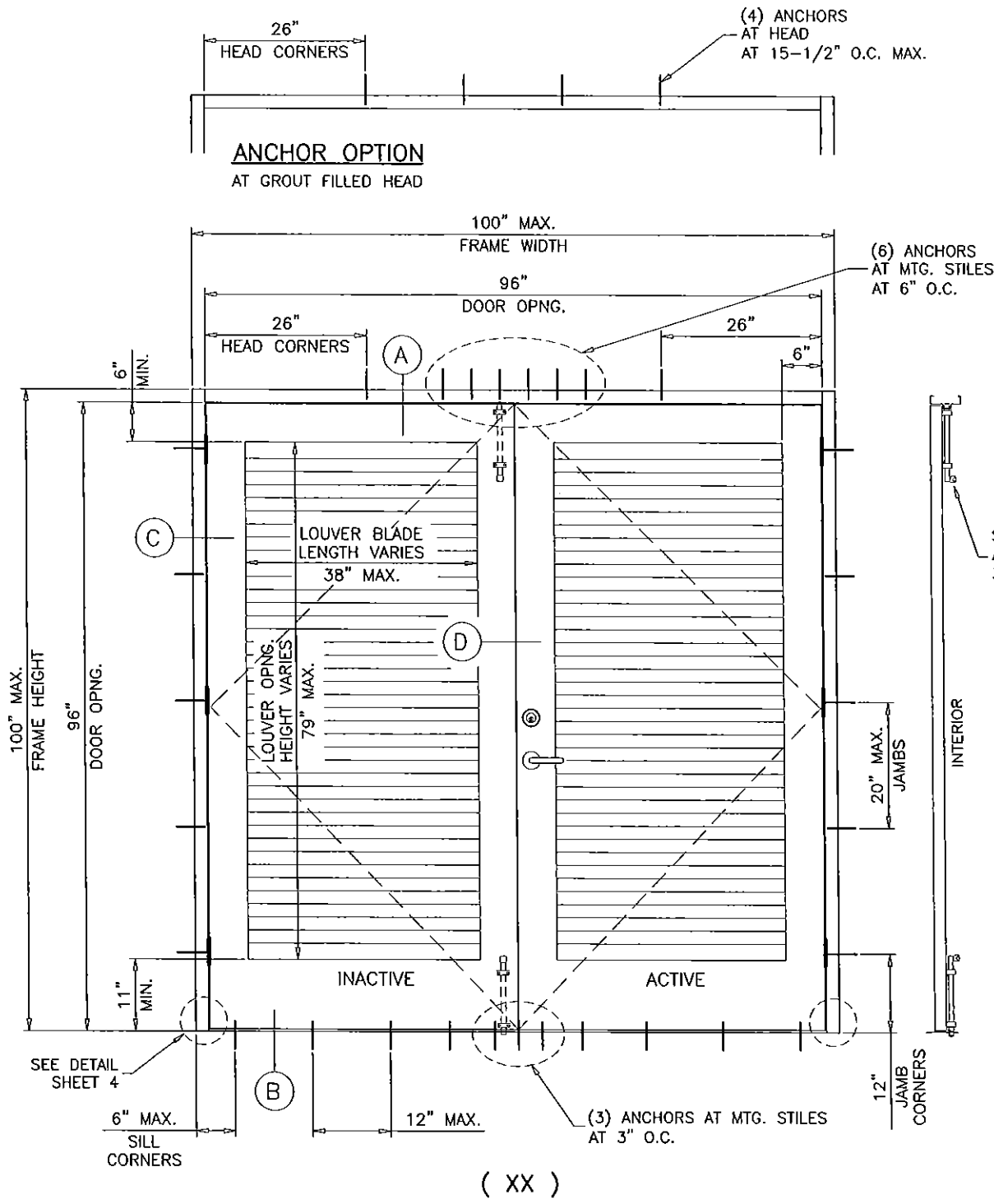
STATEMENTS

1. Statement letter of conformance to FBC 2014(5th edition) and "renewal with No change", prepared by Al Farooq Corporation, dated 07/21/15, signed and sealed by Javad Ahmad, P.E
2. Statement letter of conformance to FBC 2014(5th edition) and letter of no financial interest, prepared by Al Farooq Corporation, dated 06/30/14, signed and sealed by Javad Ahmad, P.E.
3. Lab compliance as part of the above referenced test report.

G. OTHER

1. This NOA **renews** NOA #12-0229.03, expiring on January 13, 2021.


Ishaq I. Chanda, P.E.
Product Control Examiner
NOA No. 15-0728.04
Expiration Date: January 13, 2021
Approval Date: January 21, 2016



TYPICAL EXTERIOR ELEVATIONS

MAXIMUM DESIGN LOAD RATING = + 70.0 PSF
 (FOR SIZES SHOWN ABOVE OR SMALLER) - 70.0 PSF
 AS LIMITED BY CODE

THESE DOORS ARE RATED FOR LARGE & SMALL MISSILE IMPACT. SHUTTERS ARE NOT REQUIRED.

SERIES-8080-II
OUT-SWING LOUVERED STEEL DOOR

DOORS NOT APPROVED FOR INSTALLATIONS WHERE AIR AND WATER INFILTRATION RESISTANCE IS REQUIRED.

SEE SHEET 6 FOR VARIOUS FRAME SIZE OPTIONS.

FRAME JAMB TRIM (WIDTH) = 1-1/4" TO 2"

FRAME JAMB DEPTH = 4-3/4" TO 8-3/4"

FRAME HEAD TRIM (WIDTH) = 1-1/4" TO 4"

HEAD/JAMB DEPTH TO BE MATCHED, TRIM MAY VARY.

THIS PRODUCT HAS BEEN DESIGNED AND TESTED TO COMPLY WITH THE REQUIREMENTS OF THE FLORIDA BUILDING CODE INCLUDING HIGH VELOCITY HURRICANE ZONE (HVHZ).

ANCHORS SHALL BE AS LISTED, SPACED AS SHOWN ON DETAILS, ANCHORS EMBEDMENT TO BASE MATERIAL SHALL BE BEYOND WALL DRESSING OR STUCCO.

ANCHORING OR LOADING CONDITIONS NOT SHOWN IN THESE DETAILS ARE NOT PART OF THIS APPROVAL.

MATERIALS INCLUDING BUT NOT LIMITED TO STEEL/METAL SCREWS, THAT COME INTO CONTACT WITH OTHER DISSIMILAR MATERIALS SHALL MEET THE REQUIREMENTS OF THE FLORIDA BLDG. CODE.

NOTE:
 EGRESS REQUIREMENTS TO BE REVIEWED BY BUILDING OFFICIAL.

Engr: JAVAD AHMAD
 CIVIL
 FLA. PE # 70592
 C.A.N. 3538
 APR 14 2015

afC
AL-FAROOQ CORPORATION
 ENGINEERS & PRODUCT DEVELOPMENT
 1235 S.W. 87 AVE
 MIAMI, FLORIDA 33174
 TEL. (305) 264-8100 FAX. (305) 262-6978
 COMP-ANL\W10-35NDC

S-8080-II OUT-SWING LOUVERED STEEL DOOR (L.M.I.)
NEXT DOOR COMPANY
 1300 N.W. 74TH STREET
 MIAMI, FL. 33147
 TEL. (305) 691-1589 FAX. (305) 836-2584

PRODUCT REVISED
 as complying with the Florida
 Building Code
 Acceptance No. 15-0728-04
 Expiration Date JAN 13, 2012

By Ishmael...
 Miami Data Product Control

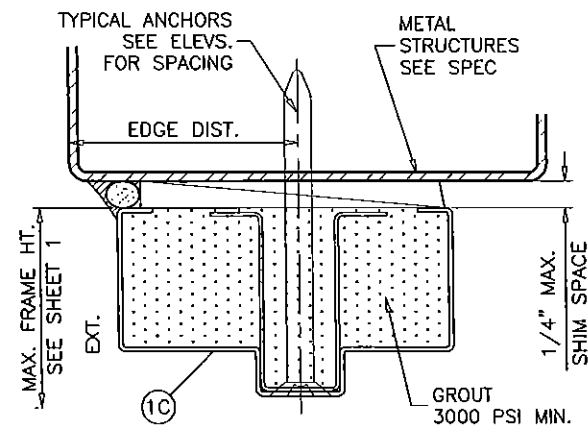
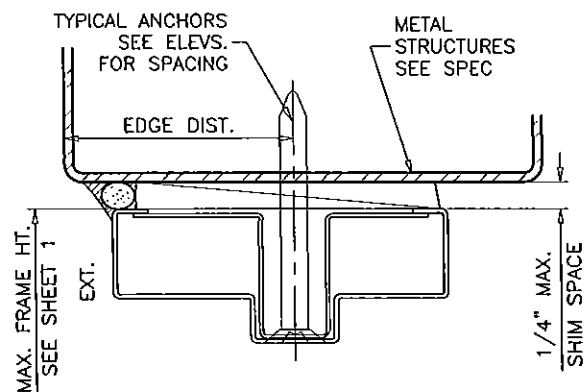
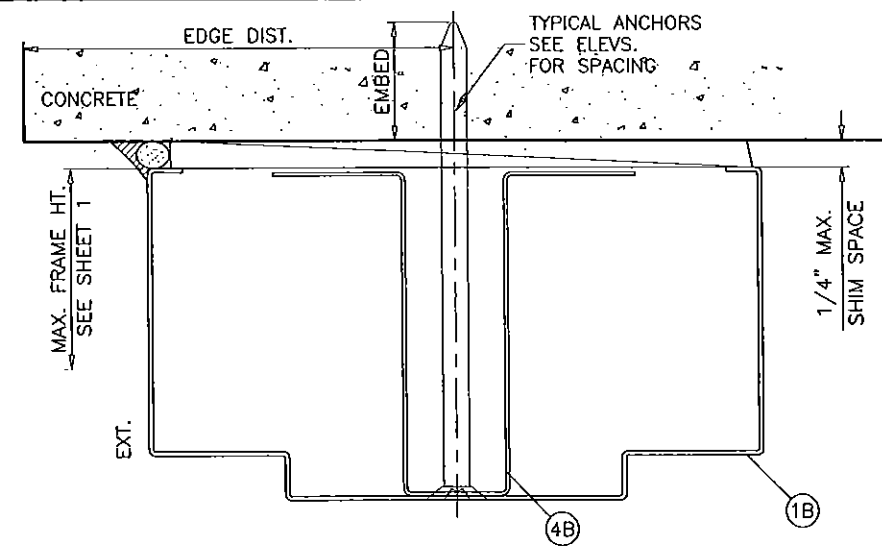
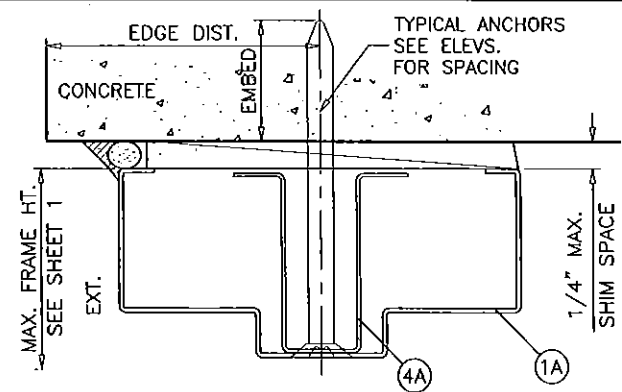
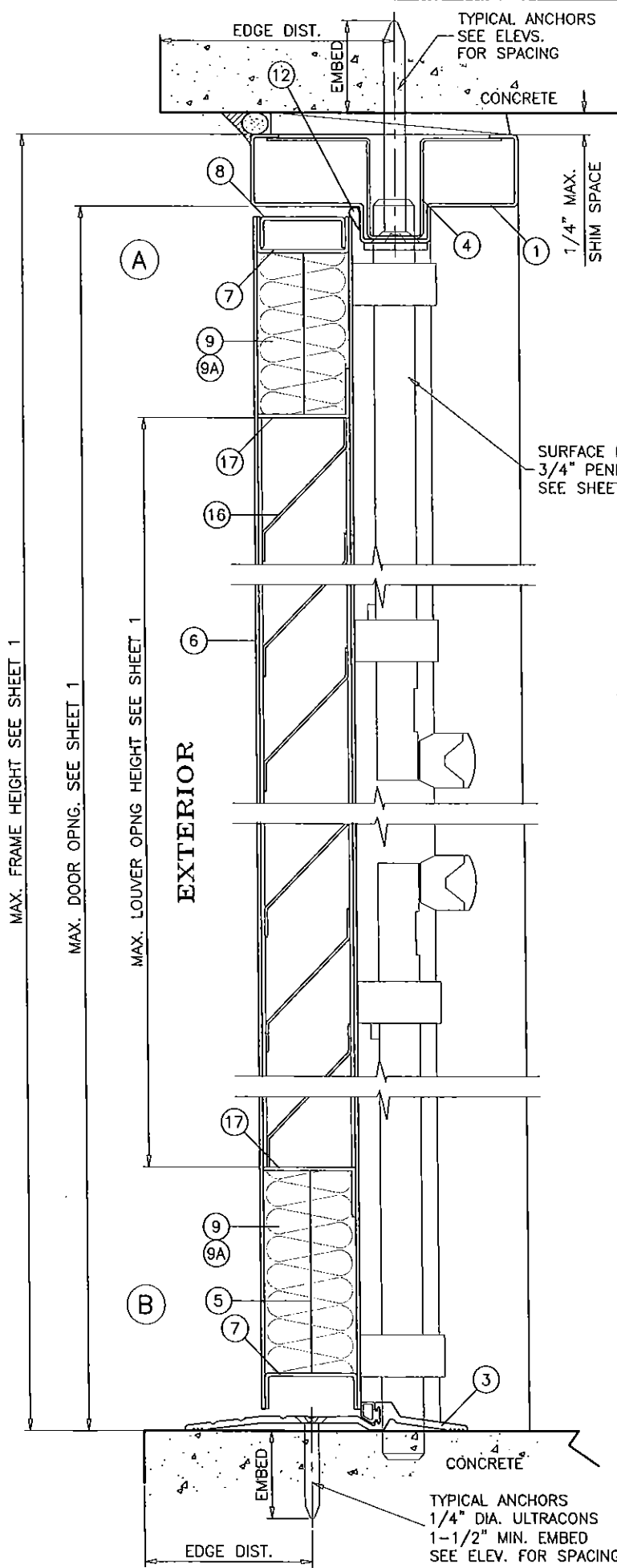
PRODUCT REVISED
 as complying with the Florida
 Building Code
 Acceptance No. 14-0911-02
 Expiration Date JAN 13, 2012

By Ishmael...
 Miami Data Product Control

no	date	description	by
C	02.17.12	UPDATED TO 2010 FBC	
D	06.30.14	UPDATED TO 2014 FBC	
E	01.12.15	REV. PER RER COMMENTS	
F	04.14.15	NO CHANGE THIS SHEET	

date: 06-03-10
 scale: 1/2"=1'-0"
 dr: by: HAMID
 chk: by:

drawing no.
W10-35
 sheet 1 of 6



METAL STRUCTURES NOT BY NEXT DOOR CO.
MUST SUPPORT LOADS IMPOSED BY DOOR SYSTEM AND
TRANSFER THEM TO THE BUILDING STRUCTURE.

TYPICAL ANCHORS @ HEAD/JAMB: SEE ELEV. FOR SPACING

3/8" DIA. HLC SLEEVE ANCHOR BY 'HILTI'
DIRECTLY INTO $f'_c=3000$ PSI CONCRETE, 3-1/2" MIN. EDGE DIST.
DIRECTLY INTO $f'_c=2000$ PSI MASONRY BLOCK, 4" MIN. EDGE DIST.
1-1/4" MIN. EMBED INTO CONCRETE (HEAD/JAMBS)
1-1/4" MIN. EMBED INTO GROUT FILLED BLOCK (JAMBS)

3/8" DIA. SUP-R-SLEEVE ANCHOR BY 'MKT'
DIRECTLY INTO $f'_c=3500$ PSI CONCRETE (HEAD/JAMBS)
3-3/4" MIN. EDGE DISTANCE
1-1/4" MIN. EMBED

3/8" DIA. SLEEVE ANCHOR BY 'WEJ-IT'
DIRECTLY INTO $f'_c=4000$ PSI CONCRETE, 2-3/8" MIN. EDGE DIST.
DIRECTLY INTO $f'_c=2000$ PSI MASONRY BLOCK, 2-3/16" MIN. EDGE DIST.
2-3/8" MIN. EMBED INTO CONCRETE (HEAD/JAMBS)
1-1/4" MIN. EMBED INTO GROUT FILLED BLOCK (JAMBS)

3/8" DIA. POWER BOLT BY 'POWERS'
DIRECTLY INTO $f'_c=3000$ PSI CONCRETE, 3" MIN. EDGE DIST.
DIRECTLY INTO $f'_c=2000$ PSI MASONRY BLOCK, 3" MIN. EDGE DIST.
2-1/2" MIN. EMBED INTO CONCRETE (HEAD/JAMBS)
2" MIN. EMBED INTO GROUT FILLED BLOCK (JAMBS)

3/8" DIA. SMS OR MACHINE BOLTS (MIN. GRADE 2 CRS)
INTO METAL STRUCTURES (STEEL OR ALUMINUM 1/8" MIN. THICK.)
STEEL : $F_y = 36$ KSI MIN.
ALUMINUM : 6063-T6 MIN.
(STEEL IN CONTACT WITH ALUMINUM TO BE PLATED OR PAINTED)

TYPICAL ANCHORS @ THRESHOLD ONLY:

1/4" DIA. ULTRACONS ($F_u=177$ KSI, $F_y=155$ KSI)
DIRECTLY INTO $f'_c=3000$ PSI CONCRETE
2-1/2" MIN. EDGE DISTANCE
1-3/4" MIN. EMBED

CONCRETE AT HEAD, SILL OR JAMBS MIN. $f'_c =$ SEE APPLICABLE ANCHOR

SEALANT:
ALL JOINTS AND CORNERS SEALED WITH SILICONE.

PRODUCT REVISIONS
As complying with the Florida
Building Code
Acceptance No. 15-0728.04
Expiration Date 1/23/2021
By: *[Signature]*
Miami Code Product Control

GROUT FILLED HEAD OPTION

PRODUCT REVISED
as complying with the Florida
Building Code
Acceptance No. 14-0911.02
Expiration Date 1/13/16
By: *[Signature]*
Miami Code Product Control

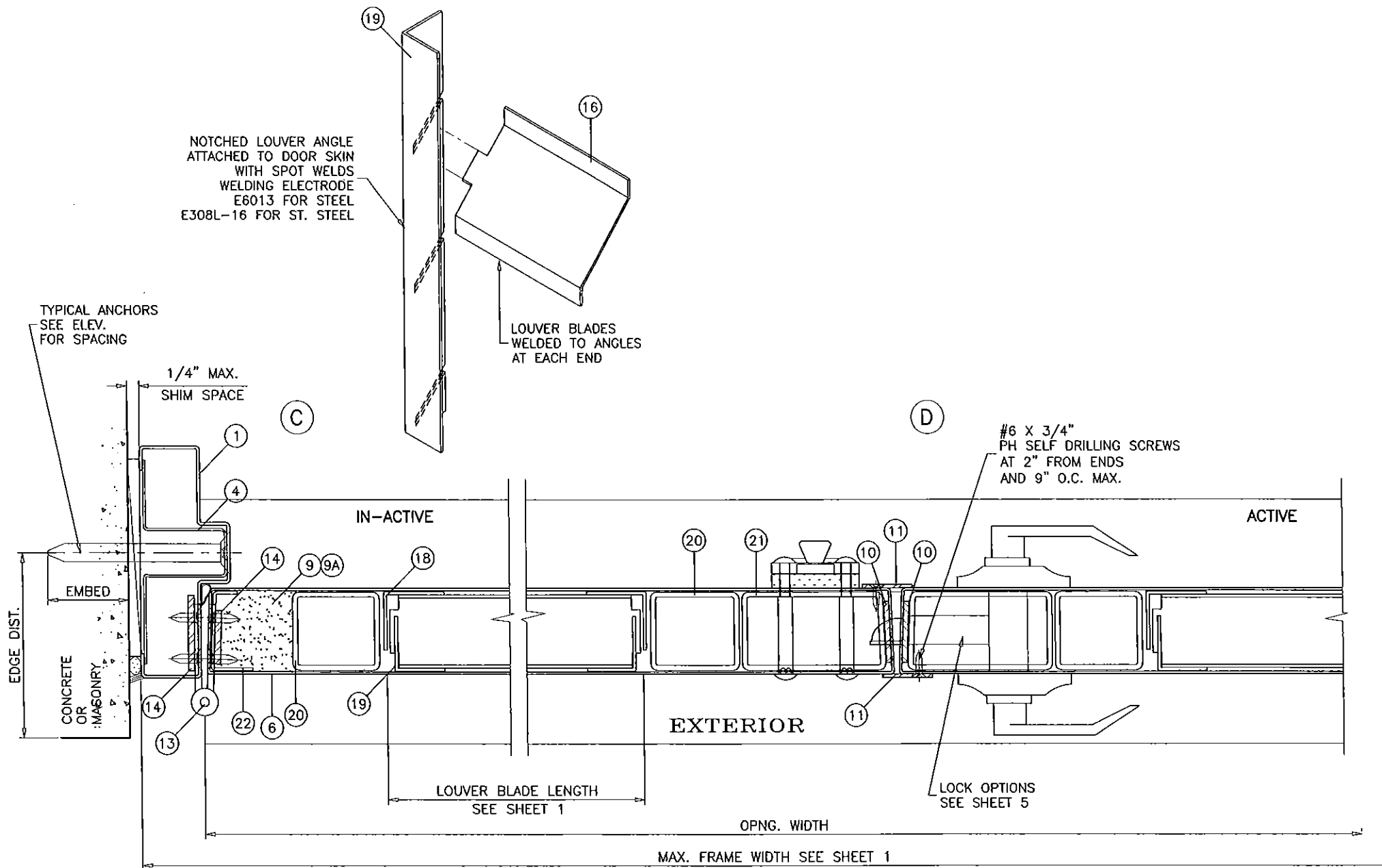
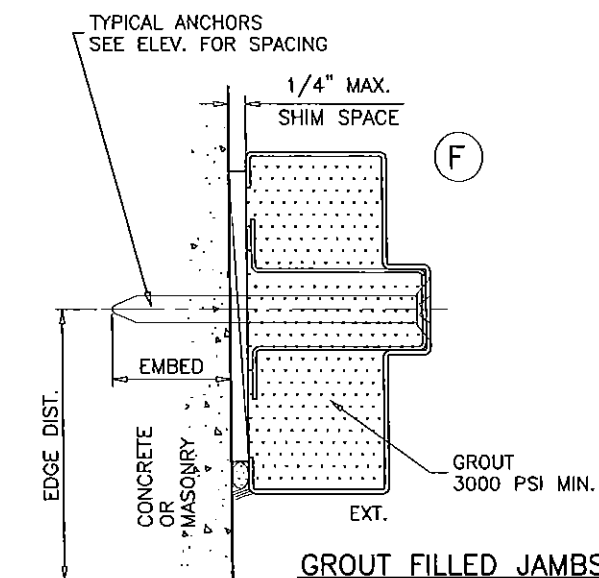
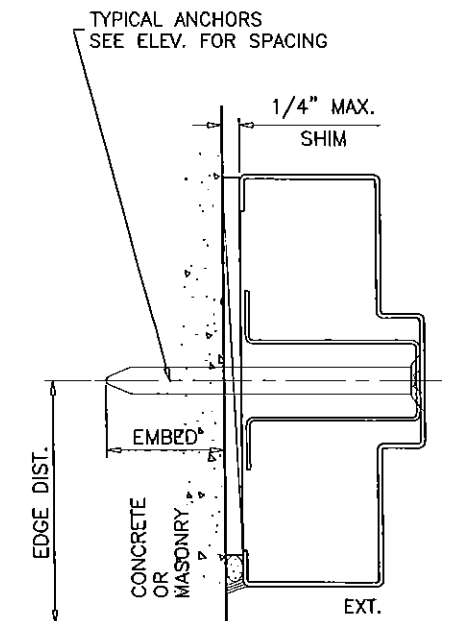
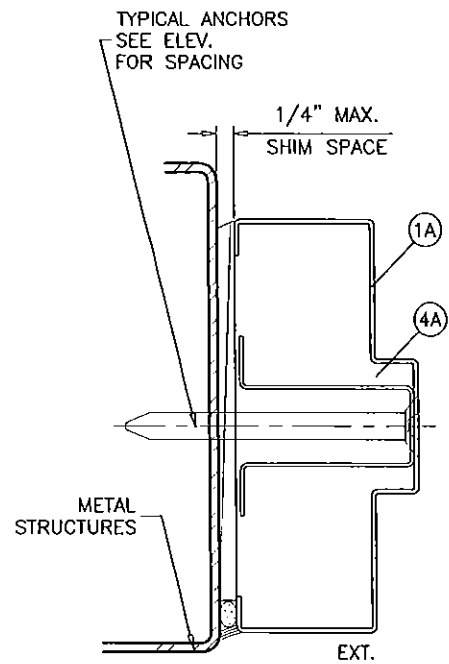
Engr. JAVAD AHMAD
CIVIL
FLA. PE # 70592
C.A.N. 3538
[Signature]
APR 14 2015

af c
AL-FAROOQ CORPORATION
ENGINEERS & PRODUCT DEVELOPMENT
1235 S.W. 87 AVE
MIAMI, FLORIDA 33174
TEL. (305) 264-8100 FAX. (305) 262-6978
COMP-ANL W10-35NDC

S-8080-IL OUT-SWING LOUVERED STEEL DOOR (L.M.I.)
NEXT DOOR COMPANY
1300 N.W. 74TH STREET
MIAMI, FL. 33147
TEL. (305) 691-1589 FAX. (305) 836-2584

NO	DATE	BY	DESCRIPTION
C	02.17.12		NO CHANGE THIS SHEET
D	06.30.14		UPDATED TO 2014 FBC
E	01.12.15		REV. PER PER COMMENTS
F	04.14.15		REV. PER PER COMMENTS

date: 06-03-10
scale: 3/8" = 1"
dr. by: HAMID
chk. by:
drawing no. W10-35
sheet 2 of 6



PRODUCT RENEWED
as complying with the Florida
Building Code
Acceptance No. 15-072804
Expiration Date 1/13/2021
By Ishag Hamid
Miami Dade Product Control

Engr: JAVAD AHMAD
CIVIL
FLA. PE # 70592
C.A.M. 3538
APR 14 2015

PRODUCT REVISED
as complying with the Florida
Building Code
Acceptance No. 14-091102
Expiration Date 1/13/16
By Ishag Hamid
Miami Dade Product Control

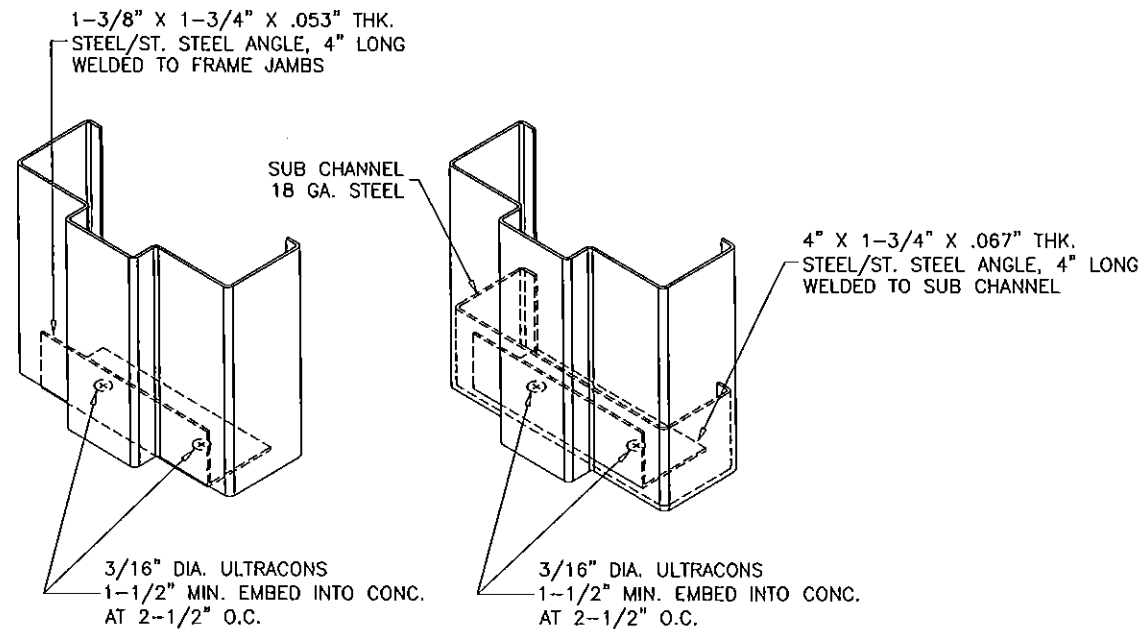
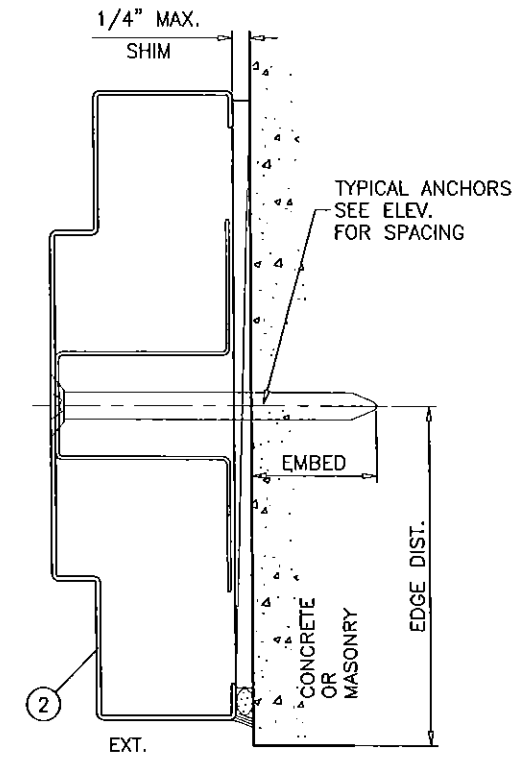
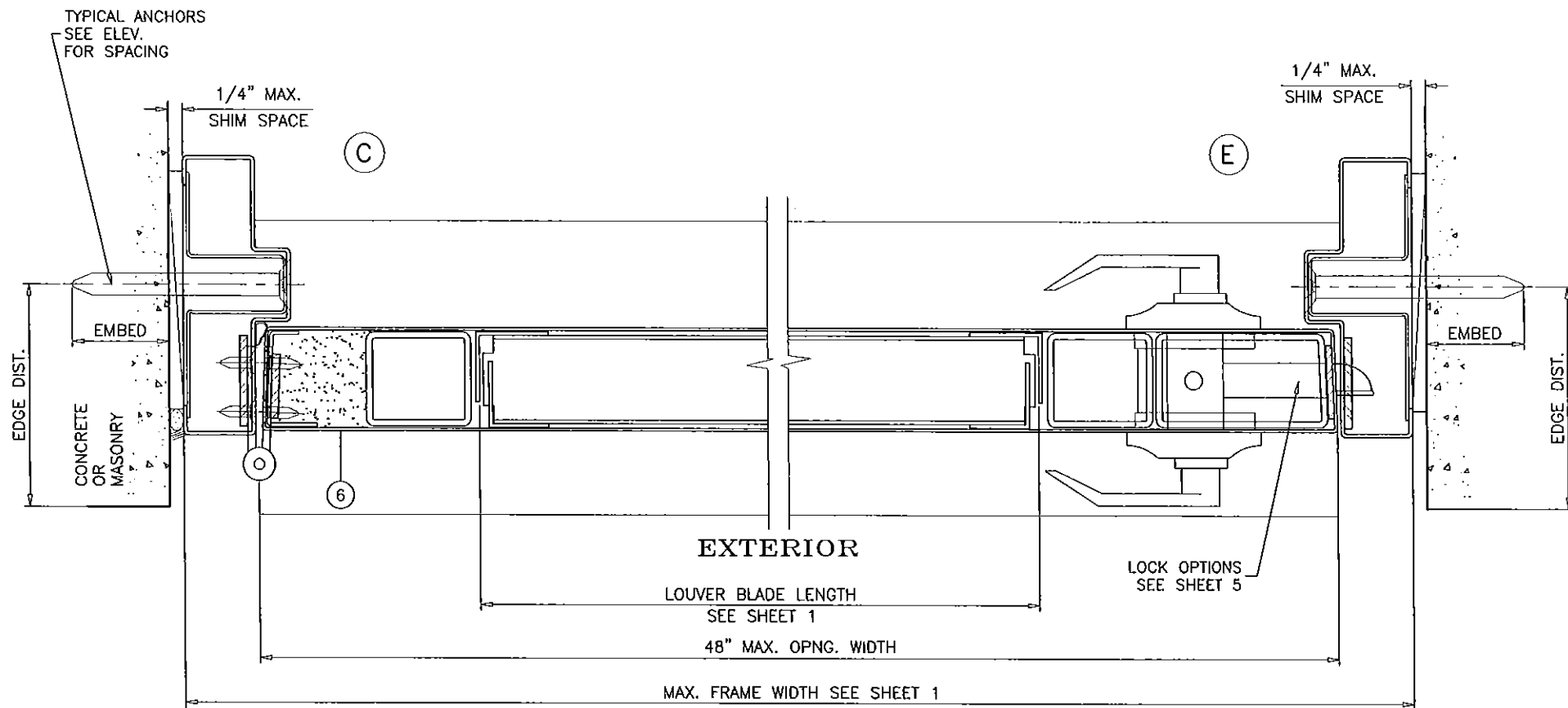
af c
AL-FAROOQ CORPORATION
ENGINEERS & PRODUCT DEVELOPMENT
1235 S.W. 87 AVE
MIAMI, FLORIDA 33174
TEL. (305) 264-8100 FAX. (305) 262-6978
COMP-ANL \ W10-35NDC

S-8080-L OUT-SWING LOUVERED STEEL DOOR (L.M.I.)
NEXT DOOR COMPANY
1300 N.W. 74TH STREET
MIAMI, FL. 33147
TEL. (305) 691-1589 FAX. (305) 836-2584

no	date	description	by
C	02.17.12	NO CHANGE THIS SHEET	
D	06.30.14	NO CHANGE THIS SHEET	
E	01.12.15	REV. PER PER COMMENTS	
F	04.14.15	REV. PER PER COMMENTS	

date: 08-03-10
scale: 3/8" = 1"
dr. by: HAMID
chk. by:

drawing no.
W10-35
sheet 3 of 6



BOTTOM CORNER ANCHORS DETAIL

PRODUCT REVISION
 As complying with the Florida
 Building Code
 Acceptance No. 15-0728-04
 Expiration Date 1/13/2021
 By Ishaq I. Chandra
 Miami Dade Product Control

PRODUCT REVISED
 as complying with the Florida
 Building Code
 Acceptance No. 14-0911-02
 Expiration Date 1/13/16
 By Ishaq I. Chandra
 Miami Dade Product Control

Engr: JAVAD AHMAD
 CIVIL
 FLA. PE # 70592
 C.A.M. 3538
 APR 14 2015

a f c
AL-FAROOQ CORPORATION
 ENGINEERS & PRODUCT DEVELOPMENT
 1235 S.W. 87 AVE
 MIAMI, FLORIDA 33174
 TEL. (305) 264-8100 FAX. (305) 262-6978
 COMP-ANL\W10-35NDC

S-8080-L OUT-SWING LOUVERED STEEL DOOR (L.M.I.)
NEXT DOOR COMPANY
 1300 N.W. 74TH STREET
 MIAMI, FL. 33147
 TEL. (305) 691-1589 FAX. (305) 836-2584

no	date	BY	description
C	02.17.12		NO CHANGE THIS SHEET
D	06.30.14		NO CHANGE THIS SHEET
E	01.12.15		REV. PER RER COMMENTS
F	04.14.15		REV. PER RER COMMENTS

date:	06-03-10
scale:	3/8" = 1"
dr. by:	HAMID
chk. by:	

drawing no.	W10-35
sheet	4 of 6

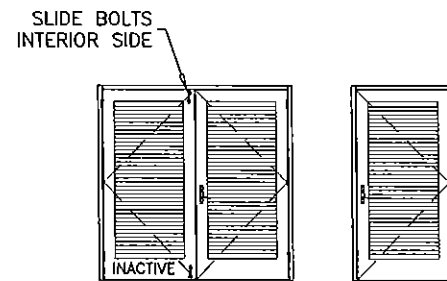
ITEM NO.	PART NO.	QUANTITY	DESCRIPTION	MATERIAL	MANF./SUPPLIER/REMARKS
1	-	AS REQD.	FRAME HEAD/JAMB (4-3/4" X 1-1/4")	STEEL/ST. STL.	16 GA. (.053") MIN. Fy=47.1 KSI, Fu=56.6 KSI
1A	-	AS REQD.	FRAME HEAD/JAMB (5-3/4" X 2")	STEEL/ST. STL.	16 GA. (.053") MIN. Fy=47.1 KSI, Fu=56.6 KSI
1B	-	AS REQD.	FRAME HEAD/JAMB (8-3/4" X 4")	STEEL/ST. STL.	16 GA. (.053") MIN. Fy=47.1 KSI, Fu=56.6 KSI
1C	-	AS REQD.	FRAME HEAD/JAMB (4-3/4" X 2")	STEEL/ST. STL.	16 GA. (.053") MIN. Fy=47.1 KSI, Fu=56.6 KSI
2	-	AS REQD.	FRAME JAMB (8-3/4" X 2")	STEEL/ST. STL.	16 GA. (.053") MIN. Fy=47.1 KSI, Fu=56.6 KSI
3	2005AT	1	THRESHOLD	ALUMINUM	PEMKO
4	-	AS REQD.	BOLT SPACER (1-1/4" FRAME)	STEEL/ST. STL.	18 GA.
4A	-	AS REQD.	BOLT SPACER (2" FRAME)	STEEL/ST. STL.	18 GA.
4B	-	AS REQD.	BOLT SPACER (4" FRAME)	STEEL/ST. STL.	18 GA.
5	-	AS REQD.	HAT STIFFENER IN PAIRS	STEEL/ST. STL.	22 GA.
6	-	-	DOOR	STEEL/ST. STL.	16 GA. (.053") MIN. Fy=47.1 KSI, Fu=56.6 KSI
7	-	2/ LEAF	TOP AND BOTTOM RAIL CHANNEL (FULL LENGTH)	STEEL/ST. STL.	7/8 X 1-21/32 X 7/8 X 14 GA.
8	-	1/ LEAF	TOP RAIL CAP (FULL LENGTH)	STEEL/ST. STL.	3/4 X 1-1/2 X 3/4 X 16 GA.
9	-	1	POLYSTYRENE	EPS	CARPENTER CO. W/ CURRENT NOA
9A	-	1	THERMAL INSULATION	-	OWENS CORNING RA-24 BATT
10	-	2/ LOCK	SPACER	STEEL/ST. STL.	12 GA.
11	-	-	FLAT BAR ASTRAGAL	STEEL/ST. STL.	12 GA.
12	S88	AS REQD.	FRAME W'STRIPPING	VINYL	PEMKO
13	-	3/ LEAF	MORTISE HINGES	STEEL	-
14	-	2/ HINGE	HINGE REINFORCEMENT (FRAME/DOOR)	STEEL/ST. STL.	1-1/4" X 10" X 7 GA.
16	-	AS REQD.	Z LOUVER BLADE	STEEL/ST. STL.	16 GA. (.053") MIN. Fy=49.0 KSI, Fu=53.1 KSI
17	-	2/ LEAF	LOUVER ANGLE (HORIZ.)	STEEL/ST. STL.	16 GA. (.053") MIN. Fy=49.0 KSI, Fu=53.1 KSI
18	-	2/ LEAF	LOUVER ANGLE (VERT.)	STEEL/ST. STL.	16 GA. (.053") MIN. Fy=49.0 KSI, Fu=53.1 KSI
19	-	2/ LEAF	LOUVER ANGLE (NOTCHED)	STEEL/ST. STL.	16 GA. (.053") MIN. Fy=49.0 KSI, Fu=53.1 KSI
20	-	2/ LEAF	HINGE STILE REINFORCEMENT TUBE, FULL LENGTH	STEEL/ST. STL.	12 GA. (.100") MIN. Fy=49.0 KSI, Fu=53.1 KSI
21	-	1/ LEAF	MTG. STILE REINFORCEMENT TUBE, FULL LENGTH	STEEL/ST. STL.	12 GA. (.100") MIN. Fy=49.0 KSI, Fu=53.1 KSI
22	-	1/ LEAF	EDGE REINFORCEMENT	STEEL/ST. STL.	14 GA.

ST. STEEL MIN. Fy = 51.9 KSI
ST. STEEL MIN. Fu = 86.7 KSI

LOCK OPTIONS:

ACTIVE LEAF:

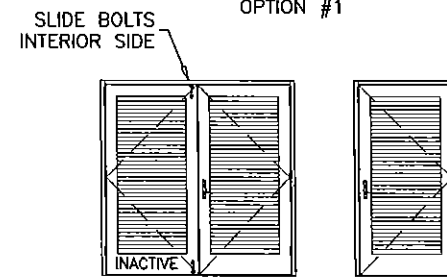
OPTION #1:
'SCHLAGE' L SERIES MORTISE LOCK (FUNCTION MUST INCLUDE DEADBOLT) MOUNTED 38" FROM FINISHED FLOOR TO CENTERLINE OF STRIKE



OPTION #1

OPTION #2:

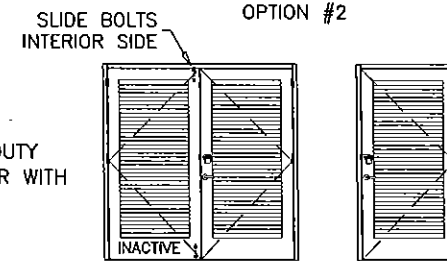
'YALE' 8800 SERIES MORTISE LOCK (FUNCTION MUST INCLUDE DEADBOLT) MOUNTED 38" FROM FINISHED FLOOR TO CENTERLINE OF STRIKE



OPTION #2

OPTION #3:

'YALE' 5400LN SERIES CYLINDRICAL LOCK (PASSAGE) AT 38" FROM FINISHED FLOOR. 'STANLEY' 941 SURFACE MOUNTED HEAVY DUTY HINGE HASPS AT 48" FROM FINISHED FLOOR WITH 'BEST' 41B SERIES PADLOCK.



OPTION #3 (W/ PADLOCK)

INACTIVE LEAF

'MCKINNEY' SB12HD SURFACE BOLT MANUALLY OPERATED 12" LONG SLIDE BOLT AT TOP AND BOTTOM OF LEAF ASA STRIKE 4-7/8" X 1-1/4" X 1/16" MOUNTED 38" FROM FINISHED FLOOR TO CENTERLINE OF STRIKE.

NOTE: TOP AND BOTTOM SURFACE BOLTS MUST BE ENGAGED DURING PERIODS OF HURRICANE WARNING.

TYPICAL EXTERIOR ELEVATIONS
(SEE SHEET 1 FOR MAX. SIZE)

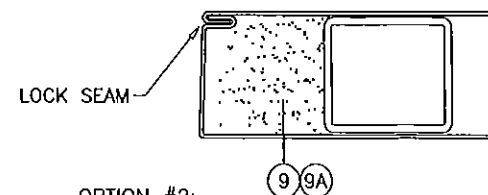
HINGES:

MORTISE HINGES 3 PER LEAF AT 7-1/4" FROM TOP TO CL OF HINGE, AT 12-1/4" FROM BOTTOM TO CL OF HINGE, CENTER HINGE EQUALLY SPACED FROM TOP & BOTTOM HINGE FASTENED WITH #12-24 X 1/2" FH MACHINE SCREWS FOUR PER HASP(LEAF).

DOOR EDGE CONSTRUCTION OPTIONS:

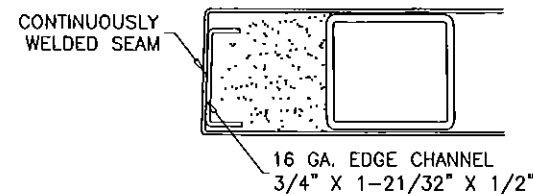
OPTION #1:

LOCK SEAM EDGE CONSTRUCTION



OPTION #2:

BUTT SEAM EDGE CONSTRUCTION



PRODUCT REVIEWED
as complying with the Florida Building Code
Acceptance No. 15-0728.0
Expiration Date 7/13/2027

By: [Signature]
Miami Dade Product Control

PRODUCT REVISED
as complying with the Florida Building Code
Acceptance No. 14-0911.02
Expiration Date 7/13/16

By: [Signature]
Miami Dade Product Control

af c
AL-FAROOQ CORPORATION
ENGINEERS & PRODUCT DEVELOPMENT
1235 S.W. 87 AVE
MIAMI, FLORIDA 33174
TEL. (305) 264-8100 FAX. (305) 262-6978
COMP-ANL\W10-35NDC

S-8080-IL OUT-SWING LOUVERED STEEL DOOR (L.M.I.)
NEXT DOOR COMPANY
1300 N.W. 74TH STREET
MIAMI, FL. 33147
TEL. (305) 691-1589 FAX. (305) 836-2584

no	date	description	BY
C	02.17.12	NO CHANGE THIS SHEET	
D	06.30.14	NO CHANGE THIS SHEET	
E	01.12.15	REV. PER RER COMMENTS	
F	04.14.15	REV. PER RER COMMENTS	

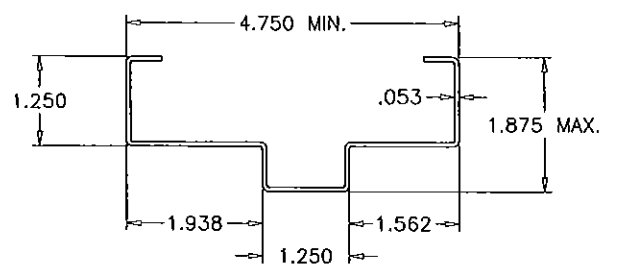
Engr: JAVAD AHMAD
CIVIL
FLA. P.E. # 70592
C.A. # 3538
APR 14 2015

date: 06-03-10
scale: 3/8" = 1"
dr. by: HAMID
chk. by:

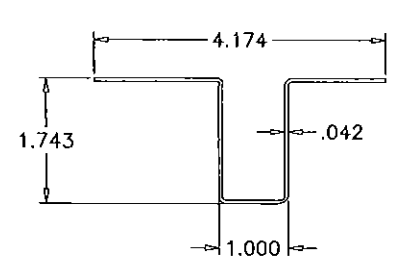
drawing no.
W10-35
sheet 5 of 6

no	date	description	BY
C	02.17.12	NO CHANGE THIS SHEET	
D	06.30.14	NO CHANGE THIS SHEET	
E	01.12.15	NO CHANGE THIS SHEET	
F	04.14.15	NO CHANGE THIS SHEET	

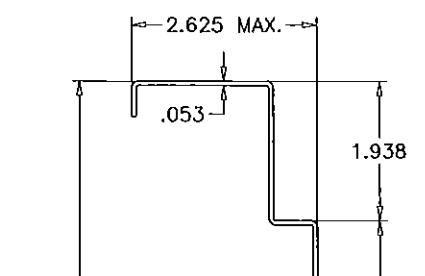
date:	06-03-10
scale:	3/8" = 1"
dr. by:	HAMID
chk. by:	



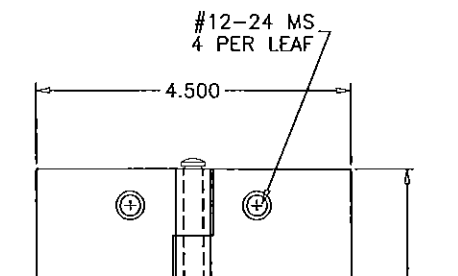
① FRAME HEAD/JAMB



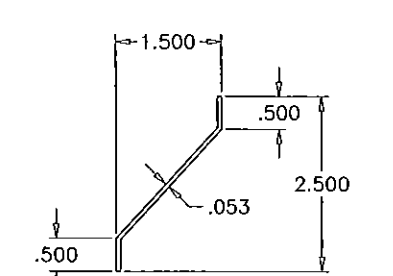
④ BOLT SPACER



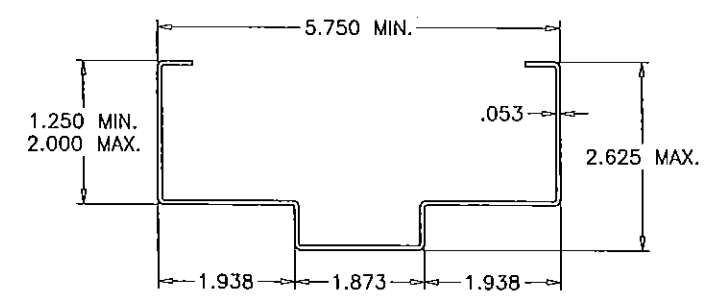
② FRAME JAMB



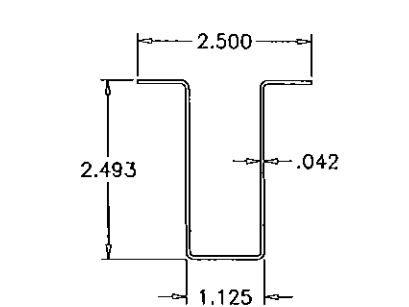
⑬ .134" THICK HINGE



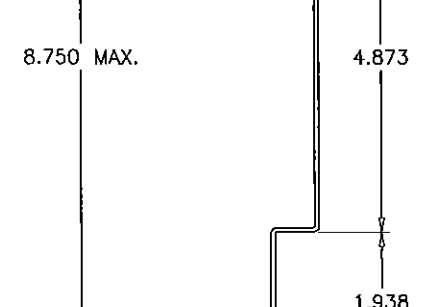
⑯ LOUVER BLADE



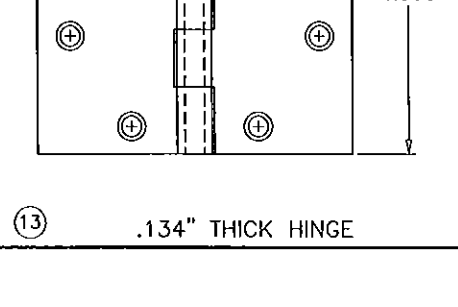
①A FRAME HEAD/JAMB



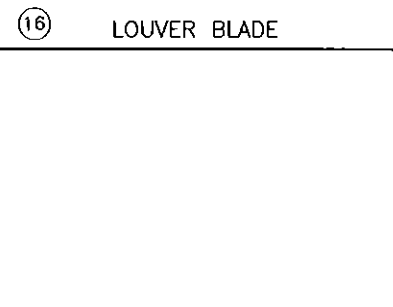
④A BOLT SPACER



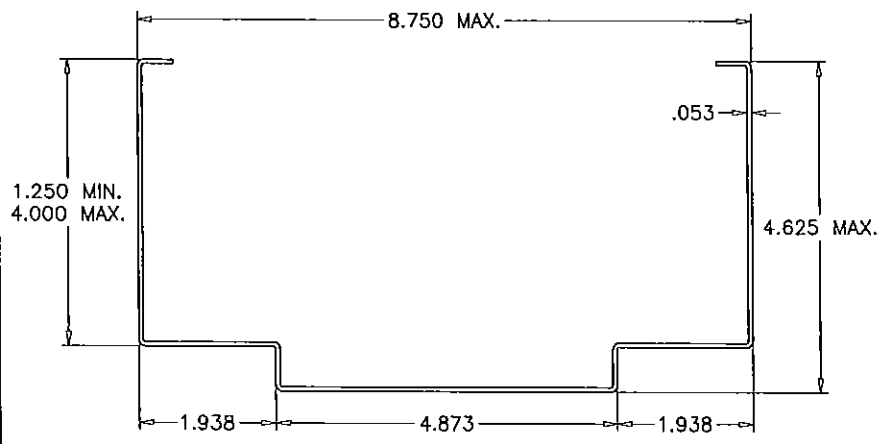
② FRAME JAMB



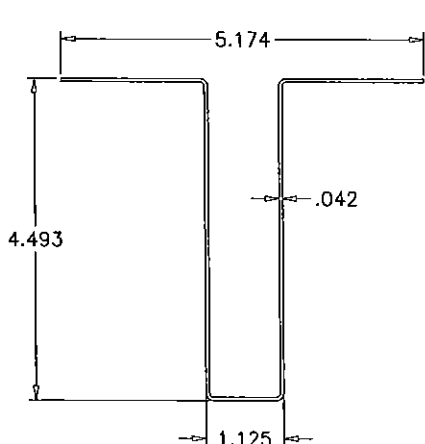
⑬ .134" THICK HINGE



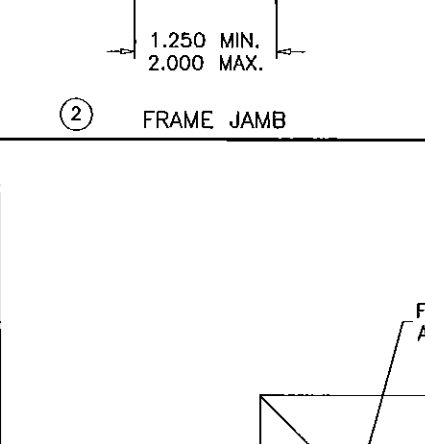
⑯ LOUVER BLADE



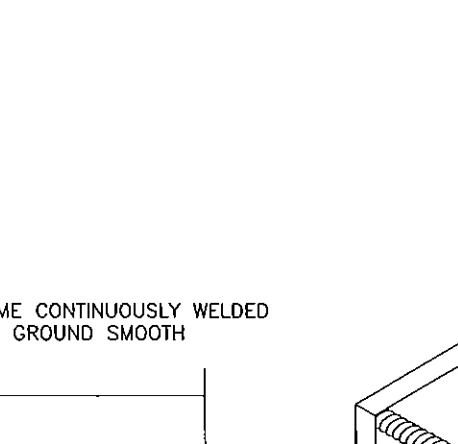
①B FRAME HEAD



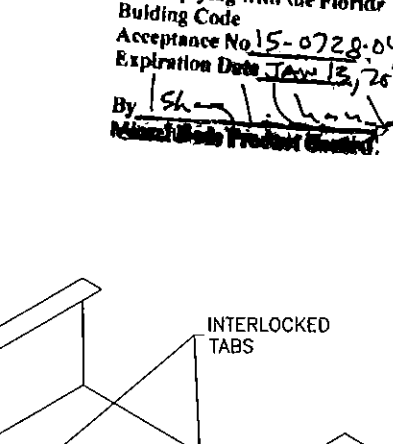
④B BOLT SPACER



② FRAME JAMB

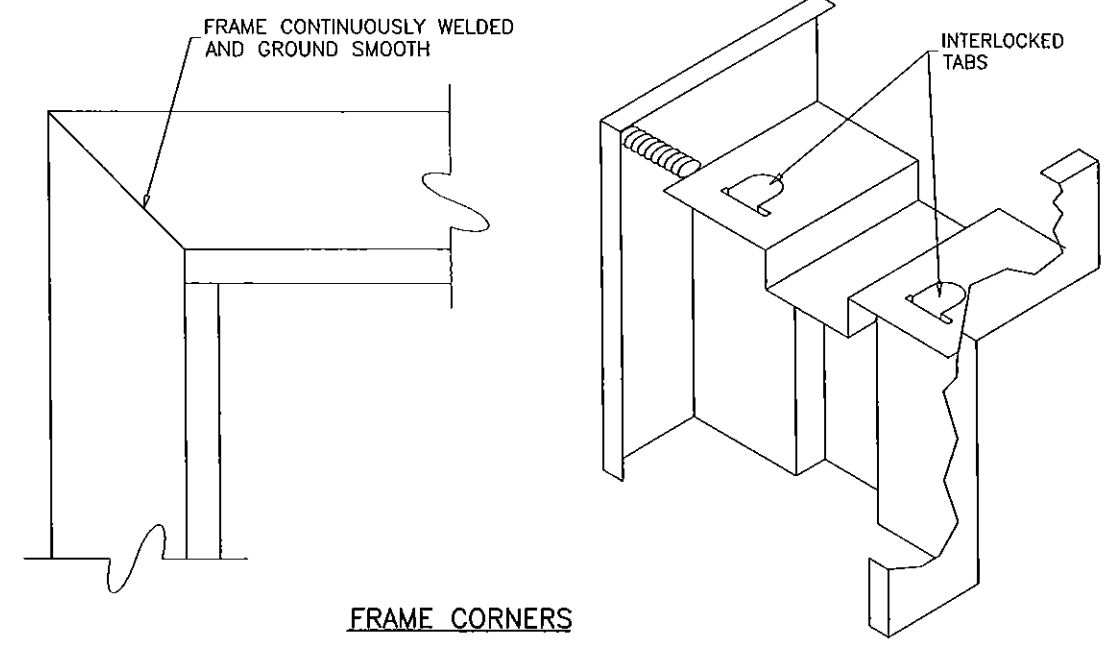


⑬ .134" THICK HINGE

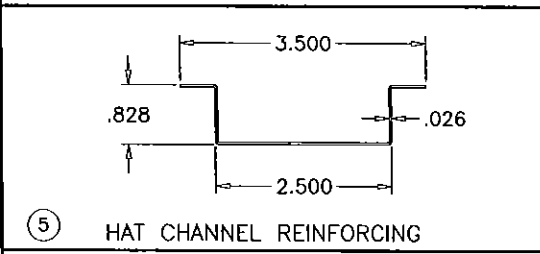


⑯ LOUVER BLADE

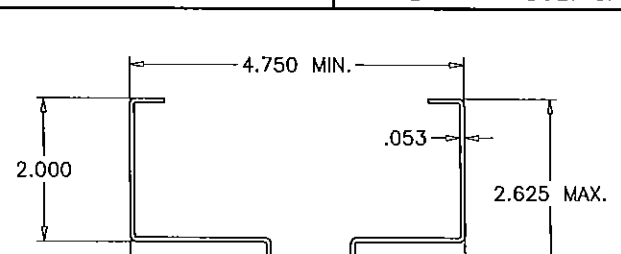
PRODUCT RENEWED
 as complying with the Florida
 Building Code
 Acceptance No 15-0728-04
 Expiration Date JAN 13, 2016
 By: *[Signature]*
 Miami Dade Product Control



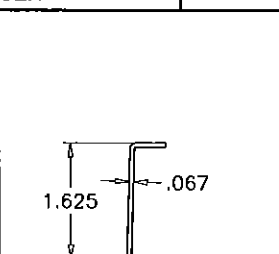
FRAME CORNERS



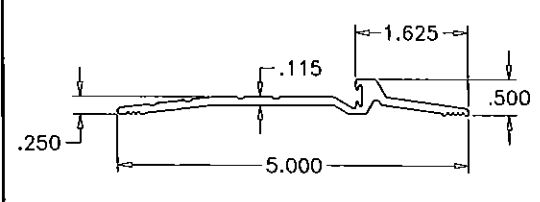
⑤ HAT CHANNEL REINFORCING



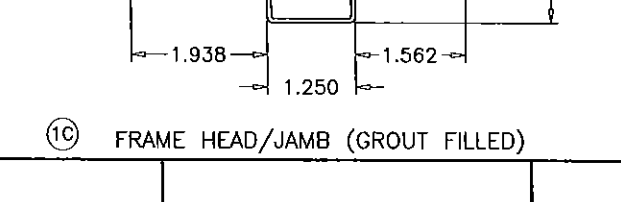
①C FRAME HEAD/JAMB (GROUT FILLED)



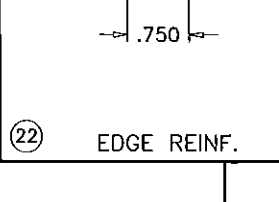
②② EDGE REINF.



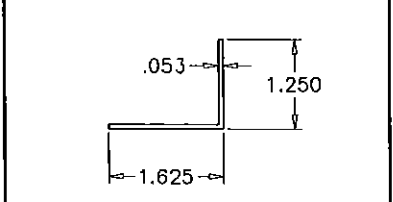
③ BUMPER THRESHOLD



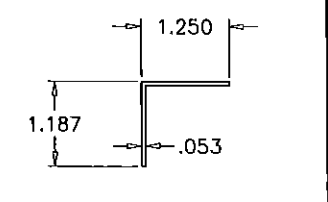
①C FRAME HEAD/JAMB (GROUT FILLED)



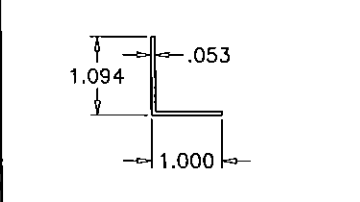
②② EDGE REINF.



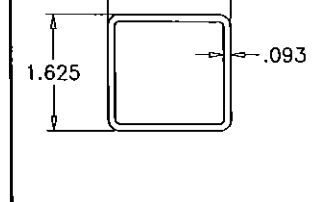
⑰ LOUVER ANGLE (HORIZ.)



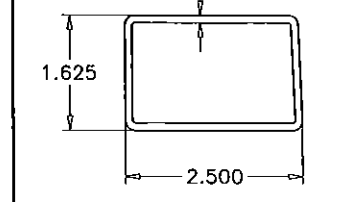
⑱ LOUVER ANGLE (VERT.)



⑲ LOUVER ANGLE (NOTCHED)



⑳ HINGE STILE REINF.



㉑ MTG. STILE REINF.

Engr: JAVAD AHMAD
 CIVIL
 FLA. P.E. # 70592
 C.A.N. 3538
 APR 14 2015

PRODUCT REVISED
 as complying with the Florida
 Building Code
 Acceptance No 14-0911-02
 Expiration Date JAN 13, 2016
 By: *[Signature]*
 Miami Dade Product Control