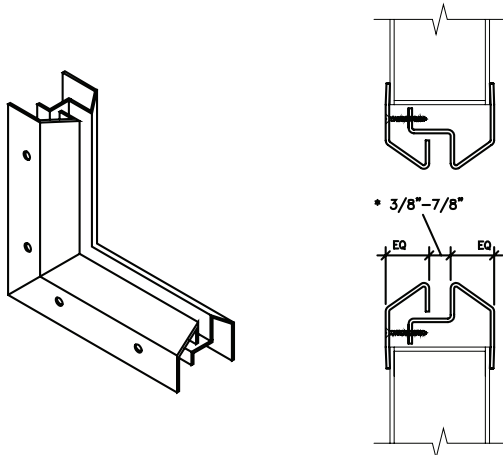


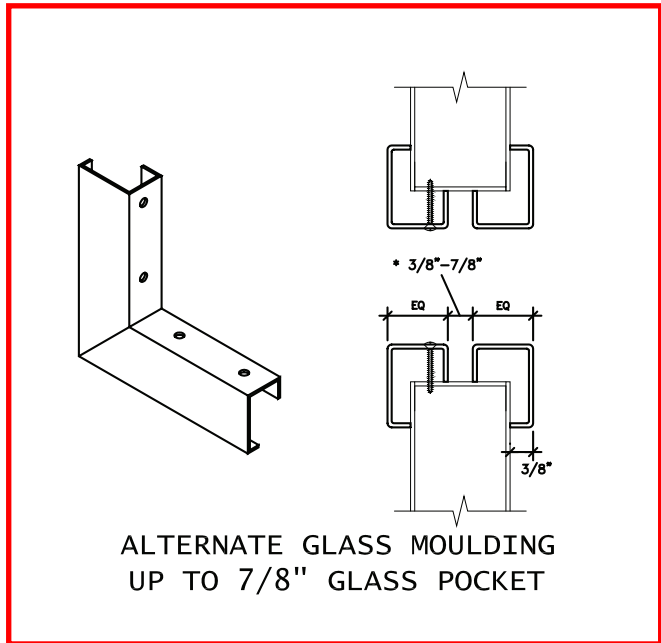


# VISION LITES

use at 1/4" glass

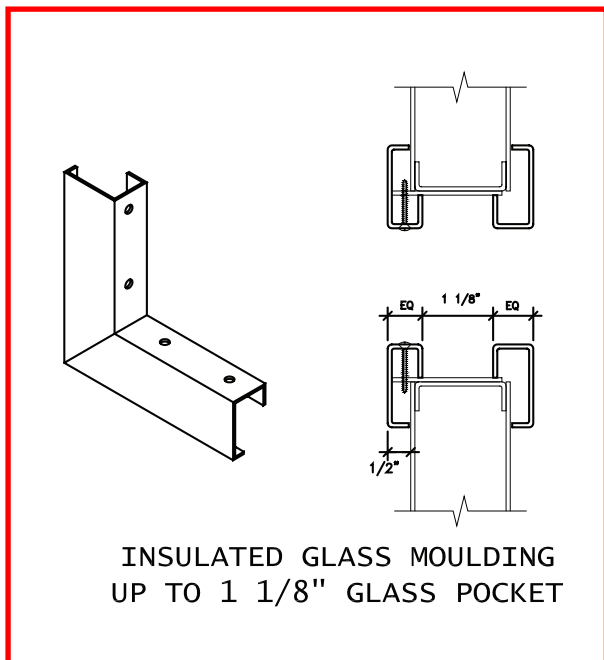


STANDARD GLASS MOULDING  
 UP TO 7/8" GLASS POCKET

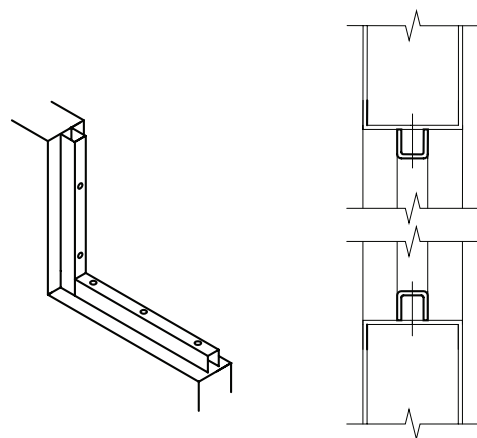


ALTERNATE GLASS MOULDING  
 UP TO 7/8" GLASS POCKET

use at 1" glass



INSULATED GLASS MOULDING  
 UP TO 1 1/8" GLASS POCKET



PHARMACEUTICAL GLASS MOULDING  
 1/4" GLASS THICK