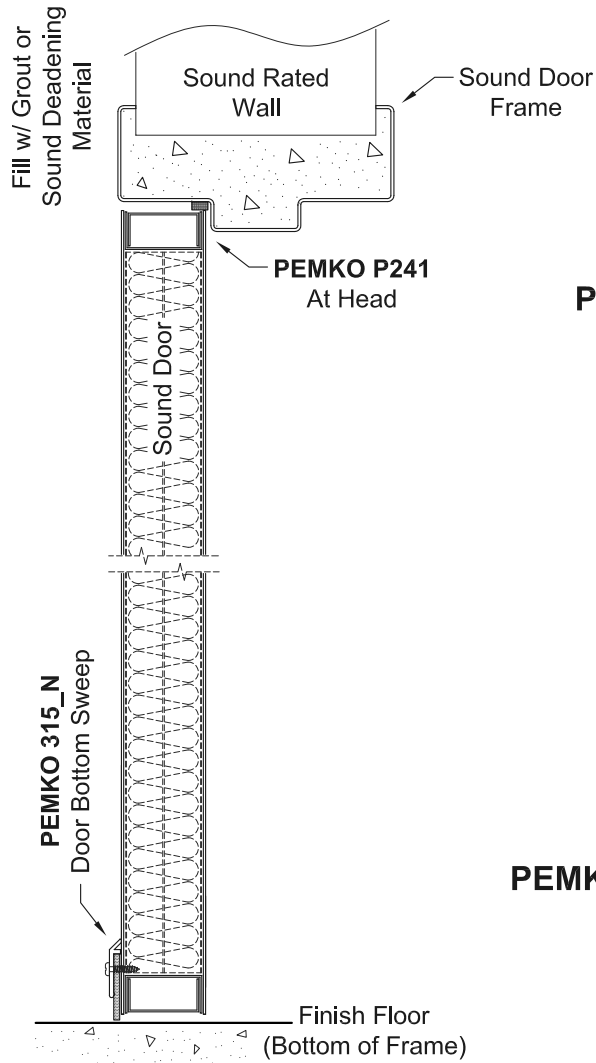


ASSEMBLY TYPE	FRAME PROFILE	RATING	SPECIAL NOTES	DWG. #
SOUND TRANSMISSION CLASS	DOUBLE RABBET	35	4 1/2" HINGES STANDARD WEIGHT	STC 35

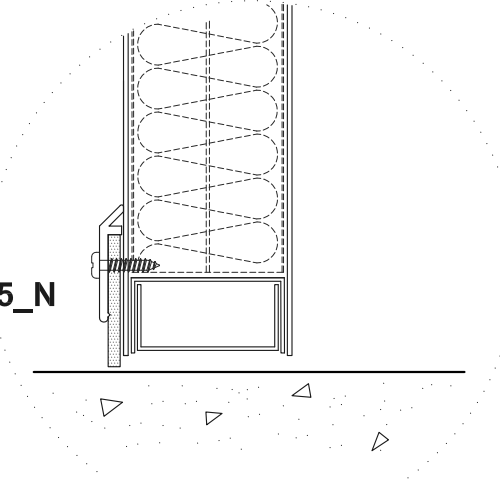
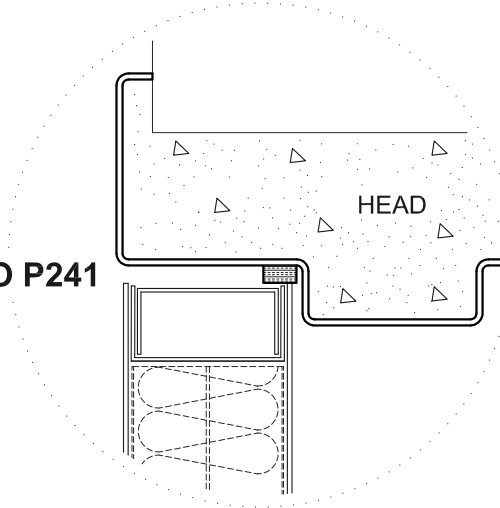
HEAD DETAIL

JAMB DETAIL

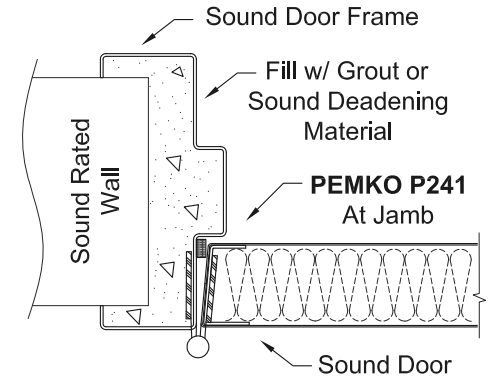


PEMKO P241

PEMKO 315_N



SILL DETAIL



Construction Specs.

Frame	Thickness	16 GA Min.
	Opening	4' 0" x 8' 0" Max.
Door	Thickness	18 GA Min.
	Leaf	4' 0" x 8' 0" Max.
	Estimated Wt.	5 Lbs. per Sq. Ft.
	Undercut	1/4"
Fire Rating (Guardian Only)		Up To 3 Hrs.

	SCALE:	NOT TO SCALE
	DATE:	02-25-11
	DRAWN BY:	R.R.
	CHECKED BY:	J.S.