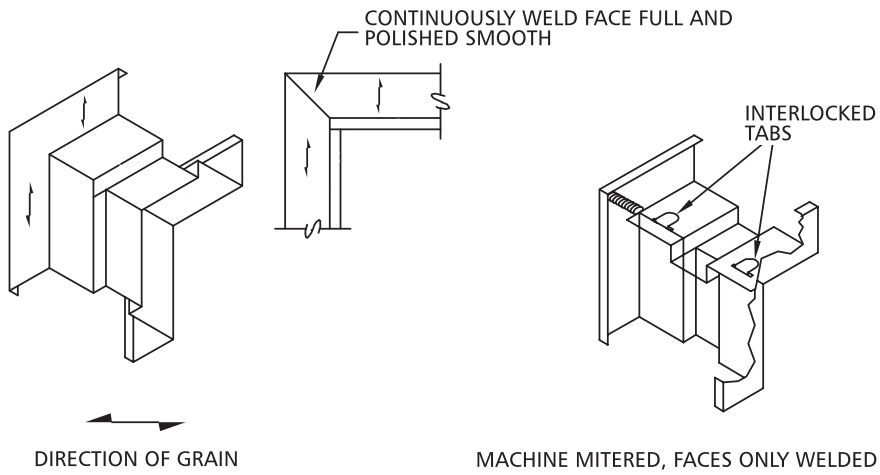




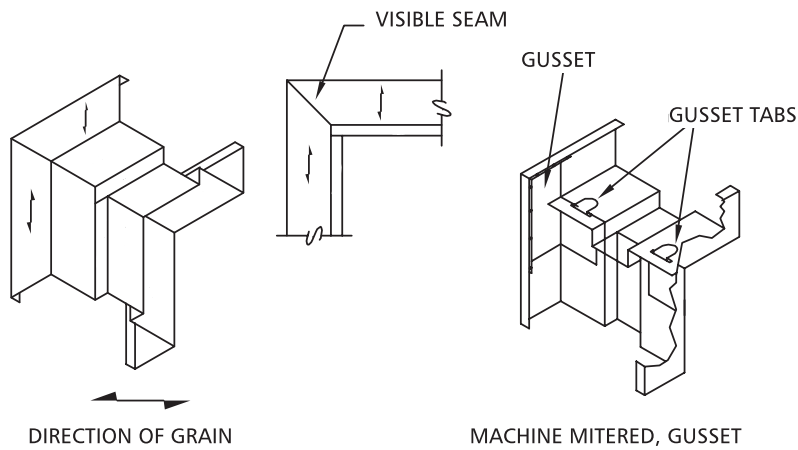
# FRAMES

## CORNER CONSTRUCTION

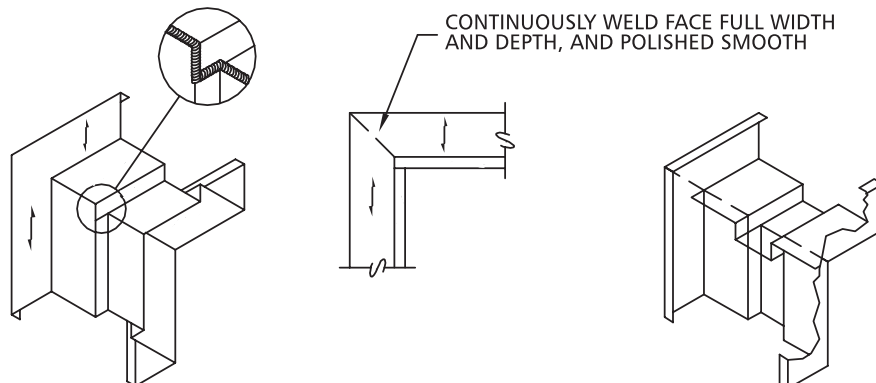
### FACE-WELDED CORNER



### WELDED FRAME VISIBLE SEAM



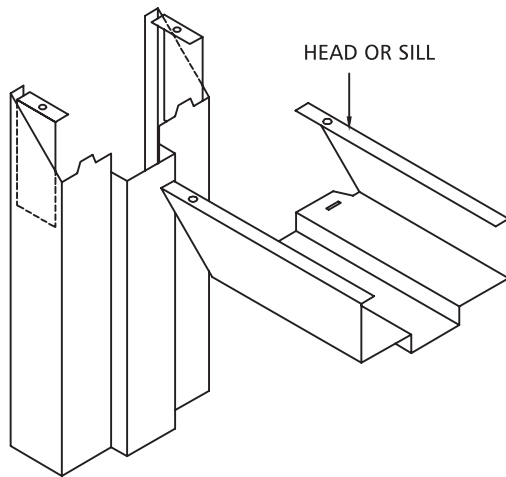
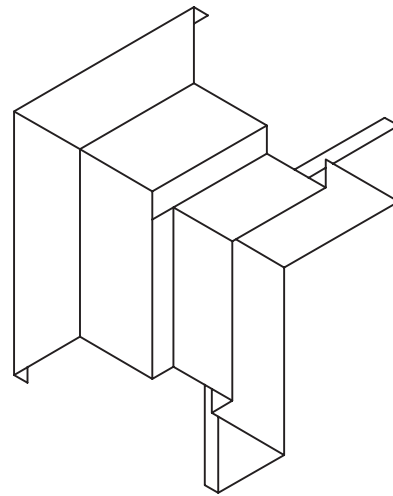
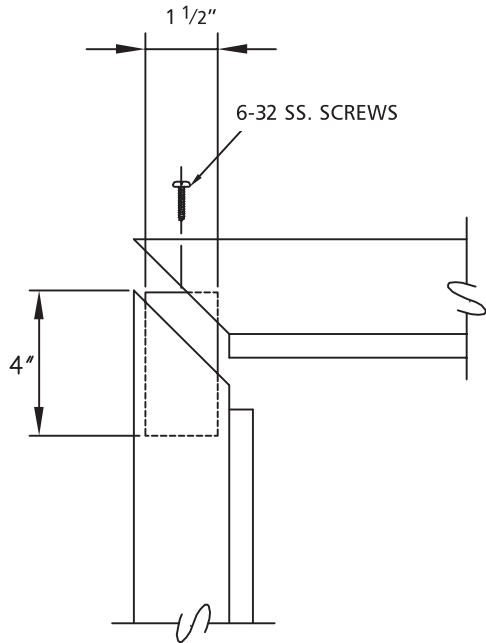
### FULLY-WELDED SEAMLESS





# FRAMES

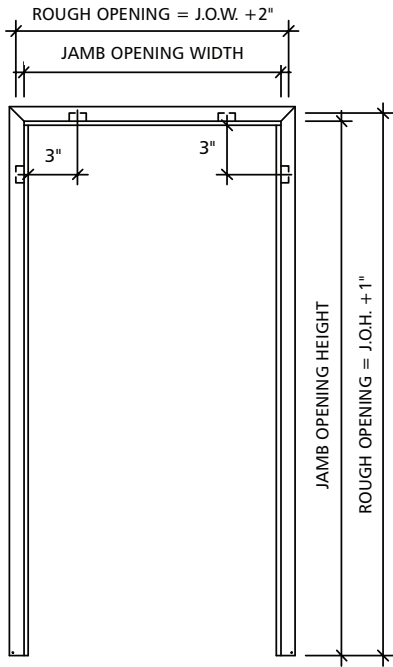
## MASONRY / DRYWALL KNOCK-DOWN CORNER CONSTRUCTION





# FRAMES

## KNOCK-DOWN PRESSURE FIT



### KNOCK-DOWN PRESSURE FIT FRAME

