
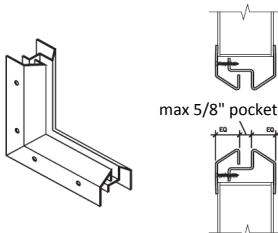
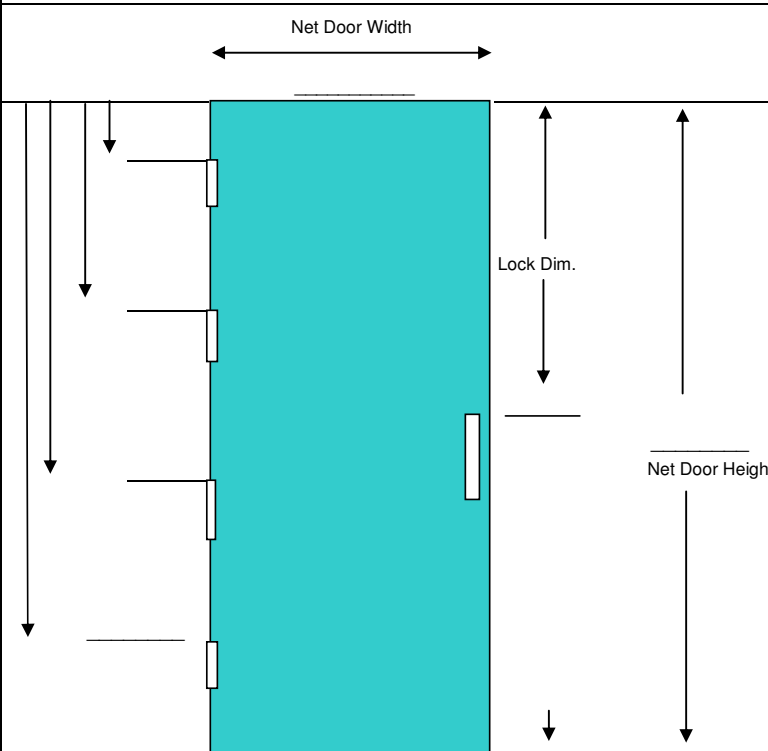


QUICK SHIP DOOR ORDER FORM - Standard Products Only

	Next Door Company 1300 NW 74th St. Miami, FL 33147	Today's Date: Contact:	Requested Ship Date: Job Name:	Page 1 of
	TEL: 954.772.6666	TEL: FAX:	Tag # (s):	P.O. #
	FAX: 954.772.8466	EMAIL:		

SOLD TO:	SHIP TO:
Name: Company: Billing Address: City / State/ Zip:	Name: Company: Ship To Address: City / State/ Zip:

Fill In or Check ALL Boxes That Apply	Locations Below are from Tops of Doors to Top of Cut Outs
Qty: _____ Swing: <input type="checkbox"/> LH <input type="checkbox"/> RH <input type="checkbox"/> LHR <input type="checkbox"/> RHR Steel Type: <input type="checkbox"/> 304 <input type="checkbox"/> 18 GA <input type="checkbox"/> 16 GA Finish: <input type="checkbox"/> #4 satin Fire Rating: _____ Vertical edge: <input type="checkbox"/> Lockseam <input type="checkbox"/> Seamless Top & Bottom End Channels <input type="checkbox"/> Inverted U <input type="checkbox"/> Cap Flush Silicon Seal Top Only <input type="checkbox"/> Cap Flush Silicon Seal Top & Bottom <input type="checkbox"/> Cap Flush Top & Bottom Full Weld & Finish <small>For Pharma, Food Processing, Clean Room (must be seamless edge & in 16 GA)</small> Core: <input type="checkbox"/> Polystyrene Elevation <input type="checkbox"/> Flush <input type="checkbox"/> Vision Visible lite: _____ X _____ (clear vision) Glass Thickness: _____ (max 1/2") NDC Standard Lite Kit - see detail  Indicate location & size of vision on adjacent door elevation	

HARDWARE INFORMATION	
HINGES: Model # _____ Size: _____	CLOSER: Manufacturer _____ Model # _____
Locks: Manufacturer _____ Model # _____ Trim # _____	FLUSHBOLT: Manufacturer _____ Model # _____
Exit Device: Manufacturer _____ Model # _____ Trim # _____	Misc Hardware: (any other items affecting door preparation). Note: Certain Hardware preps may disqualify Quick Ship