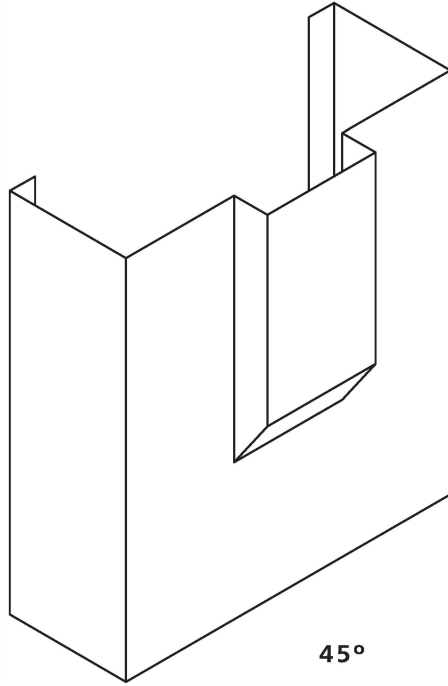


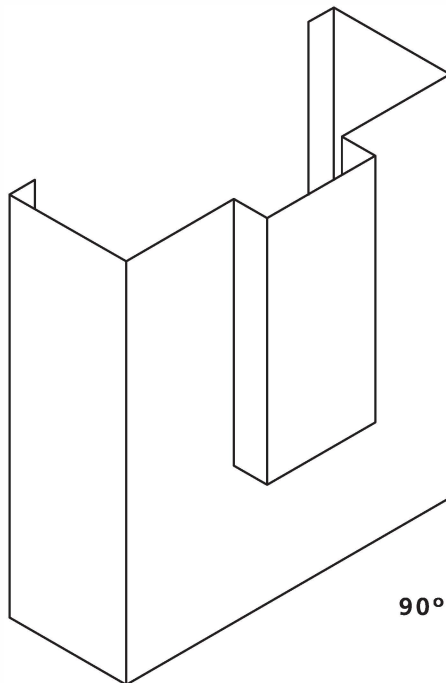


HOSPITAL STOPS



45°

NOTE: Stops are fully and continuously welded, ground smooth, refinished and repolished to a #4 finish.



90°