



Stock Price List/Order Form: Stainless Steel Doors and Frames



COMPLETE THE INFORMATION BELOW AND FAX TO: 954 772-8466

SOLD TO: _____
 DATE _____ PO # _____
 ADDRESS _____

 CITY _____
 STATE, ZIP _____
 PHONE _____ FAX _____

SHIP TO: _____
 ADDRESS _____

 CITY _____
 STATE, ZIP _____
 PHONE _____ FAX _____
 CONTACT _____

TURNAROUND: 48 HOURS

STAINLESS STEEL DOOR:

List price\$1600 ea

- Sizes: 3'0" x 7'0" OR 3'0" x 6'8"
- 18 gauge, Type 304 stainless steel
- #4 Silver Satin finish
- Flush
- Cylindrical lock prep #161 OR 86 full escutcheon
- Exposed vertical seam along edge
- Reinforced for surface closer
- Polystyrene slab core
- Fire labeled 3 hours
- Price includes packing & crating

STAINLESS STEEL FRAME:

List price\$900 ea

- Sizes: 3'0" x 7'0" OR 3'0" X 6'8"
- 16 gauge, Type 304 stainless steel
- #4 Silver Satin finish
- Reinforced for surface closer
- 2" head
- 4-7/8" strike ASA
- Mitered and welded corners
- 5-3/4" jamb width, 5" throat width
- Universal or masonry tee anchors
- Fire labeled 3 hours
- Price includes packing and crating

Please note: Prices subject to change without notice. Prices are verified on date of order.

DOORS

	TOTAL QTY	EA. PRICE	TOTAL PRICE
Door 3'0" x 7'0", Right handed			
#161 lock prep (3070DFRA)	___ X	\$ _____	\$ _____
#86 lock prep (3070DFRB)	___ X	\$ _____	\$ _____
Door 3'0" x 7'0", Left handed			
#161 lock prep (3070DFLA)	___ X	\$ _____	\$ _____
#86 lock prep (3070DFLB)	___ X	\$ _____	\$ _____
Door 3'0" x 6'8", Right handed			
#161 lock prep (3068DFRA)	___ X	\$ _____	\$ _____
#86 lock prep (3068DFRB)	___ X	\$ _____	\$ _____
Door 3'0" x 6'8", Left handed			
#161 lock prep (3068DFLA)	___ X	\$ _____	\$ _____
#86 lock prep (3068DFLB)	___ X	\$ _____	\$ _____

FRAMES

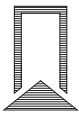
	TOTAL QTY	EA. PRICE	TOTAL PRICE
Frame 3'0" x 7'0", Right handed			
Wood Stud/Metal Stud Anchor (3070FOIRA)	___ X	\$ _____	\$ _____
Masonry Anchor (3070FOIRB)	___ X	\$ _____	\$ _____
Frame 3'0" x 7'0", Left handed			
Wood Stud/Metal Stud Anchor (3070FOILA)	___ X	\$ _____	\$ _____
Masonry Anchor (3070FOILB)	___ X	\$ _____	\$ _____
Frame 3'0" x 6'8", Right handed			
Wood Stud/Metal Stud Anchor (3068FOIRA)	___ X	\$ _____	\$ _____
Masonry Anchor (3068FOIRB)	___ X	\$ _____	\$ _____
Frame 3'0" x 6'8", Left handed			
Wood Stud/Metal Stud Anchor (3068FOILA)	___ X	\$ _____	\$ _____
Masonry Anchor (3068FOILB)	___ X	\$ _____	\$ _____

FREIGHT (GROUND)

West of the Mississippi	\$200 per piece (door leaf or frame)	\$ _____
East of the Mississippi	\$150 per piece (door leaf or frame)	\$ _____

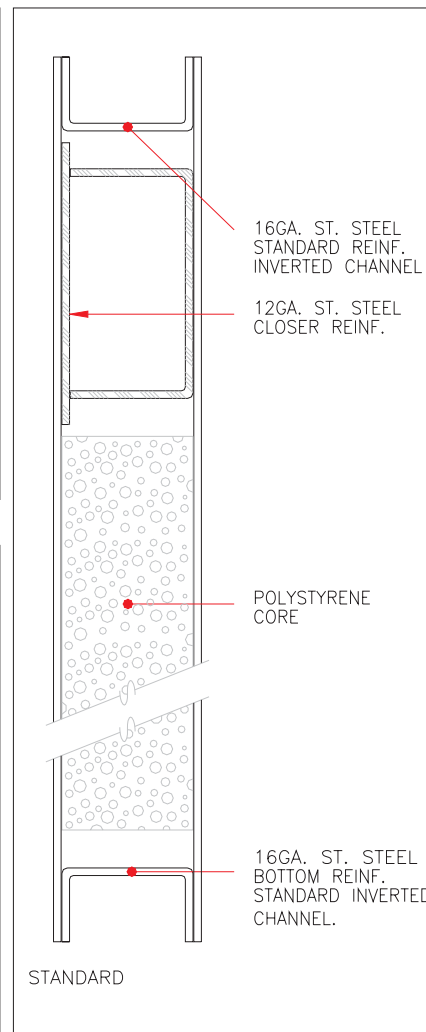
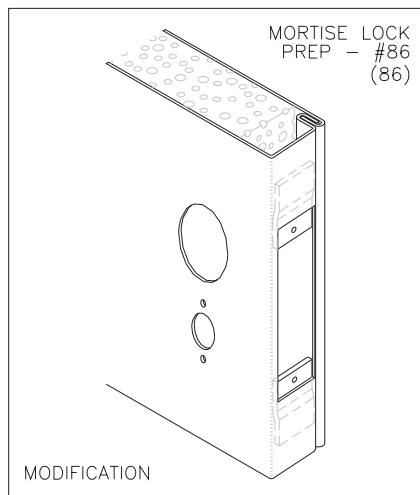
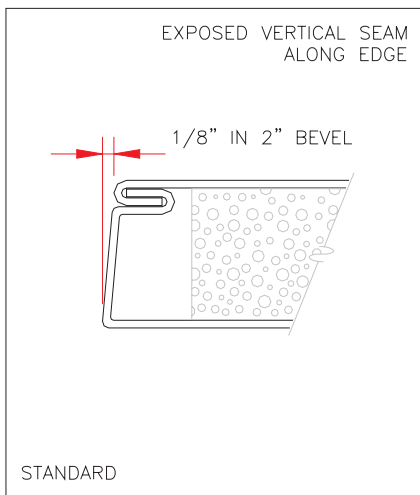
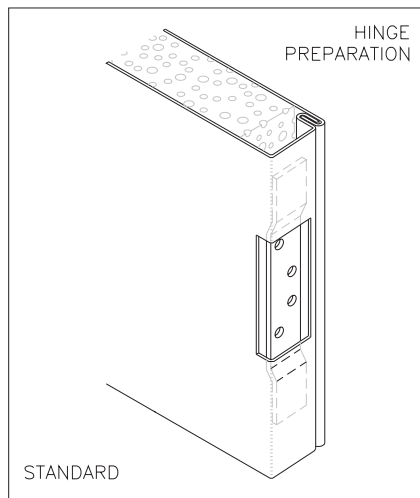
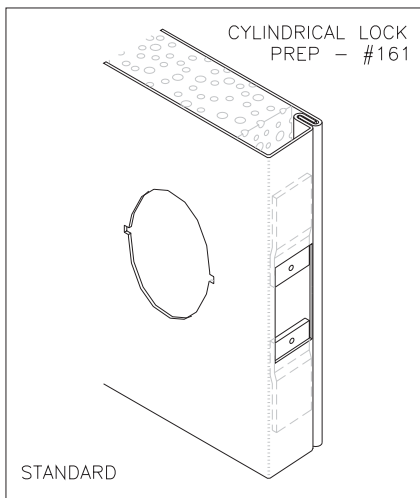
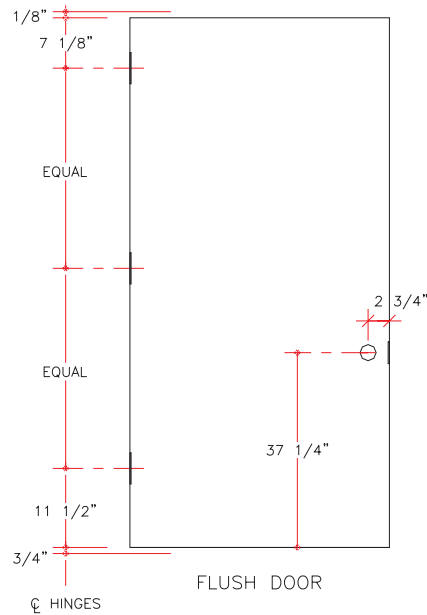
SHIPPING SUBTOTAL: \$ _____

ORDER TOTAL \$ _____



STANDARD DETAILS (STOCK DOORS):

- Fabricated from 18GA type 304, #4 finish St. Steel with vertical grain conforming to ASTM A167.
- Exposed vertical seam along edge.
- Insulated and sound deadened by permanently laminating a solid slab of rigid polystyrene foam core to the inside of each face skin. .24 U-Factor, ANSI A151.1.
- 16GA St. Stl. top and bottom reinf. channel.
- 1/8" in 2" bevel on hinge and lock edges.
- Mortised and reinforced with 3/16" x 1 1/4", 10" long St. Steel hinge reinforcements and 12GA St. Steel lock reinf. tabs.
- Reinforced for surface closer, 12GA St. Stl.
- Hinge preparation: (1 1/2 pairs) 4 1/2" full mortise regular weight template hinges.
- Prepared for cylindrical locks.
- Mortise lock 86 edge preparation only (optional). Function holes drilled by others
- 3 hour WH fire label.



STANDARD DETAILS (STOCK FRAME).

- Fabricated from 16GA type 304, #4 finish St. Steel conforming to ASTM A167.
- Mitered and welded corners.
- Continuous weather stripping at jambs and head.
- Mortised and reinforced with 3/16"x 1 1/4", 10" long St. Steel hinge reinforcements and 12GA St. Steel strike reinf. tabs.
- Reinforced for surface closer, 12GA St. Stl.
- Furnished with six masonry tee anchors.
- Each jamb shall have a welded in St. Steel sill anchor for attachment to floor.
- Hinge preparation (a 1/2"pairs) 4 1/2" full mortise regular weight template hinges.
- Strike preparation: ANSI A1 15 1-2 4-7/8".
- 3 hours WH fire label.

